

南通剑锋机械有限公司

Nantong jianfeng machinery co., ltd.

为客户提供高质量的产品和真诚的服务
Provide customers with high quality products
and sincere service



剑锋机械

南通剑锋机械有限公司

NANTONG JIANFENG MACHINERY CO., LTD.

地址:南通市通州区东社镇五甲工业园区

电话:0513-86202872

传真:0513-86205069

手机:13814654998 15962913930

Q Q:270248270 3228909590

网址:www.ntjf.en.alibaba.com www.jftabletcounter.com

www.ntjfpharma.com www.ntjfjx.com

邮箱:jf@jianfengservice1.com

Add:Wujia Industrial Park, Dongshe Town,
Tongzhou District, Nantong City

T e l:0513-86202872

F a x:0513-86205069

Mob:13814654998 15962913930

Q Q:270248270 3228909590

Http://www.ntjf.en.alibaba.com www.jftabletcounter.com

www.ntjfpharma.com www.ntjfjx.com

Emal:jf@jianfengservice1.com

www.jftabletcounter.com

Enterprise purpose

企业宗旨

Tel:86-513-86202872 Fax:86-513-86205069



—专注于为客户提供高品质的食品制药包装机械的研发、生产、销售、服务于一体的企业。

企业精神：团结协作、技术争先、求真务实、服务周到；

经营理念：以客户为中心，全心全意地为客户服务；

经营原则：技术先进、制造精良、服务周到。

Focus on providing customers with high-quality food and pharmaceutical packaging machinery R & D, production, sales and service.

Enterprise spirit:

Unity and cooperation, advanced technology, be practical and realistic, considerate service.

Management Philosophy;

Customer centered, serve customer wholeheartedly

Management Principle:

Advanced technology, excellent manufacturing, considerate service.

www.ntjfjx.com

ENTERPRISE

Profile 企业简介

南通剑烽机械有限公司创建于一九八四年，土地面积12000平方，厂房面积6000平方，年销售额2500多万。公司专注于为客户提供高品质的食品制药包装机械，拥有一流的设计研发、生产制造及安装调试团队，现已发展成有一定规模的药机供应商。

南通剑烽机械有限公司近几年不断转型，产品不断创新，自主研发生产各种型号的电子数粒机、旋盖（压盖机）、塞棉条机……2015年先后通过了CE,ISO各项产品认证，2016年一鼓作气通过了7个国家知识产权局颁发的实用新型专利证书。我们用专业的技术、优质的产品、领先的制造工艺、卓越的管理和贴心的服务受到了客户的青睐，赢得了广阔的国内外市场。

南通剑烽机械有限公司位于南通市通州区东社镇五甲工业园区，紧靠上海，地理位置优越交通非常便利。在这个充满机遇和挑战的年代，客户的需求就是我们生存的根基，满足客户的需求，是我们发展的动力。我们公司本着“以客户为中心、全心全意为客户服务”的经营理念，坚持以“技术先进、制造精良、求真服务、服务周到”的原则，为客户提供高质量的产品和真诚的服务。唯有不断创新超越自我，才能创造更广阔的生存空间。



Nantong Jianfeng machinery co., LTD is a professional engaged in research and development, production, management of pharmaceutical and food machinery, science and technology enterprises. Founded in 1984, covers an area of 12000 square meters, construction area of 6000 square meters, with annual sales of more than 25 million . With the first-class design research and development, manufacturing and installation and commissioning team, has developed into a certain scale pharmaceutical supplier.

Nantong Jianfeng Machinery Co. Ltd. in recent years constantly transformation, product innovation, independent R & D and production of Cotton Stuffing Machine, Counting & bagging machine, Automatic machine for cotton ball, multifunctional labeling machine, capping(pressing) machine..... 2015 had passed the CE, ISO product certification, 2016 went on and certified 7 utility model patent issued by the State Property Bureau. We have been favored by customers with professional technology, high-quality products, leading manufacturing processes, excellent management and intimate service, and won wide domestic and foreign markets.

Nantong Jianfeng machinery co., LTD located in located in Wujia industrial park, Tongzhou district ,Nantong city ,Jiangsu province. Close to Shanghai, superior position and convenient traffic. Close to Shanghai, superior position and convenient traffic.In this area full of opportunities, customers needs are the foundation of our survival and meeting customer needs is the driving force of our development. By holding the business philosophy of " customer centered, serving customers whole-heartedly " and sticking to the principle of "advanced technology ,elaborate manufacturing, truth - seeking and pragmatism, considerate service " ,our company provides high quality products and sincere service for customers. Our survival and development space will become wider only throughcontinously innovating and surpassing ourselves.



HONORARY

Qualification 荣誉资质

荣誉见证历史，丰碑镌刻艰辛；荣誉代表着社会对剑烽人业绩的肯定；荣誉也见证了剑烽人对永不枯竭的进取心、事业心、创造精神，这也将是剑烽人继续创造辉煌的力量之源。

Honor bears witness to history and monuments bear hardships; Honor represents the social affirmation of Jianfeng people's performance; Honor also witnessed Jianfeng people's inexhaustible enterprising spirit, dedication and creative spirit, which will also be Jianfeng people continue to create a brilliant source of strength.

荣誉源于用心，每份认可的资质证书凝聚剑烽人；
奋力拼搏的结晶，每份荣誉都是我们的金名片和通行证，那是我们一个个路标，那是我们一次次的历程。

Honor comes from the heart, each recognized qualification certificate condensed Jian feng people;
The crystallization of hard work, every honor is our gold card and pass, that is our road signs,
that is our journey again and again.



PRODUCTION

WORKSHOP 生产车间

科学技术是第一生产力，科学技术也是企业的核心竞争力。不断加强核心技术的研发和创新，不断追求卓越，精益求精，以先进的生产设备，严格的质量管理，精密的生产检测流程，保证每一款产品的优良性能。

Science and technology is the primary productive force, and science and technology is also the core competitiveness of enterprises. Continuously strengthen the R & D and innovation of core technology, constantly pursue excellence and keep improving, and ensure the excellent performance of each product with advanced production equipment, strict quality management and precise production and testing process.



PRODUCTION

Equipment 生产装备

科学化 精细化 规范化
Scientific refined standardized



COOPERATIVE

Partner 合作伙伴



排序不分先后
Sort in no order

至诚守信 成就客户
SINCERE AND TRUSTWORTHY

我们坚信：
一份耕耘、一份收获；只要坚持以客户为中心，
贴近市场，不断完善自我，提升企业综合竞争力，
才能将企业做大、做强，更好服务于社会。
我们真挚的感谢众多企业多年来对本公司的信任与支持！

We firmly believe that:
A hard work, a harvest; As long as we
adhere to customer-centered, close to the
market, constantly improve ourselves and
enhance the comprehensive
competitiveness of the enterprise, we can
make the enterprise bigger and stronger
and better serve the society. We sincerely
thank many enterprises for their trust and
support to the company over the years!

- | | |
|--|--|
|  CASUN 广东康星康康制药有限公司 |  金颖生技 GeneFarm |
|  丹东日食食品有限公司 |  新疆天山红药业有限公司 |
|  济民生物科技有限公司 |  陕西省中医院 陕西中医药大学附属医院 |
|  沈阳市中医院 |  福州市华报生物科技有限公司 |
|  上海和美堂 |  芜湖恒泰制药有限公司 |

CATALOGUE

目录

- 01** 多功能片剂、丸剂、胶囊瓶装生产线 (中速线)
Integrated tablets/capsules/pills automatic packing line (average-speed line)
- 03** 多功能片剂、丸剂、胶囊瓶装生产线 (高速线)
Integrated tablets/capsules/pills automatic packing line (high-speed line)
- 05** 粉剂称重灌装生产线
Powder filling production line
- 07** 直线颗粒灌装生产线
Linear Granule particle weighing filling machine
- 09** JF-XJG 灌装旋轧盖生产线
Filling and rolling cap production line
- 11** JF-YT 全自动液体包装生产线
Full automatic liquid packing production line
- 13** 电子数粒机系列
Electronic Counters
- 15** JF-B8 桌上型8道电子数粒机
Desktop electronic counting machine
- 16** JF-16C 电子数粒机 (振动下料, 带踢废功能)
Electronic counting machine (vibrating blanking With waste kicking function)
- 17** JF-2/JF-4 半自动桌上型数粒机
Manual counting machine
- 18** JFSP-1 送瓶机
Semi-auto bottle unscrambler
- 19** JF-A100 自动理瓶机
Automatic bottle unscrambler
- 20** JF-A160 自动理瓶机
Automatic bottle unscrambler
- 21** JF-A160B 自动理瓶机
Automatic bottle unscrambler
- 22** JF-2000 高速自动理瓶机
High speed bottle unscrambler
- 23** JF-C120 全自动干燥剂塞入机
Automatic desiccant inserting machine
- 24** JF-C120 全自动干燥剂塞入机(双出料)
Automatic desiccant inserting machine (double discharge)
- 25** JF-S120 全自动塞棉机
Automatic cotton inserting machine
- 26** JF-Z120 高速双头塞纸机
Paper inserter
- 27** JF-D901 压旋机
Pressure capping machine
- 28** JF-D902 旋盖机
capping screwing machine
- 29** JF-D904 压盖机采用阶梯式提升理盖
Pressure capping machine
- 30** JF-M1 电磁感应铝箔封口机
Induction sealer
- 31** JF-M2 电磁感应水冷封口机
Induction sealer(water-cooled)
- 32** JF-T1 不干胶圆瓶侧面贴标机
Round Bottle Side Face Labeler
- 33** JF-T2 多功能贴标机
Multi-function labeler
- 34** JF-T3 不干胶平面贴标机
Top Face Labeler
- 35** JF-T4 卧式不干胶贴标机
Horizontal self-adhesive labeling machine
- 36** JF-XP 空气洗瓶机
Air washing machine
- 37** SP-310 多层筛片机
Multi-storey Tablet Deduster
- 38** JF-137 滚筒式筛片机
Barrel roll Tablet Deduster
- 39** JF-200C 上旋式筛片机
Uphill Tablet Deduster
- 40** JF-S1 胶囊抛光机
Capsule polishing machine
- 41** JF-S2 胶囊分选抛光机
Capsule polishing machine with sorter
- 42** JF-S3 双分选立式胶囊抛光机
Vertical capsule polishing machine with double sorter
- 43** XGB 型工业吸尘器
Industrial vacuum cleaner
- 44** XQB 高速工业吸尘器
High speed industrial cleaner
- 45** JF-L1 自动上料机
Electronic lifting machine
- 46** JF-L2 型提升机
Z-lifting machine
- 47** 数粒机配拉袋机 (I型)
Counting sachet multifunctional packaging machine(vertical type)
- 48** 数粒机配拉袋机 (II型)
Counting sachet multifunctional packaging machine(vertical type)
- 49** 数粒机配水平拉袋机
Counting sachet multifunctional packaging machine (horizontal type)
- 50** 数粒机配给袋式包装机
Counting automatic counting sachet packaging machine(pouch rotary type)
- 51** XG-150 称重机
Weighing machine
- 52** SG-M300 金属探测器
Metal detector
- 53** NJP-V 半自动胶囊充填机
Semi automatic capsule filling machine
- 54** NJP 全自动胶囊充填机
Series fully automatic capsule filling machine
- 55** JFZP-31/35/37 旋转式压片机
Rotary tablet press
- 56** JF-PM 小字符喷码机
Small character jet printer
- 57** JF-ZW 全自动中药制丸机
Automatic traditional chinese medicine pill making machine

INTEGRATED

Tablets/capsules/pills Automatic Packing Line (Average-speed Line)

多功能片剂、丸剂、胶囊瓶装生产线（中速线）



概述

JF-A160-16型数粒机瓶装包装联动生产线是由JF-A160理瓶机、JF-16道电子数粒机、JF-C120干燥剂塞入机（塞棉或者塞纸），JF-D902旋盖机，JF-M1电磁感应铝箔封口机（JF-M2水冷封口机）和JF-T1不干胶圆瓶侧面贴标机（打码机）。

全线兼容性强，光电技术采用本公司先进的抗高粉尘技术，全面兼容片剂（包括异形片）、胶囊、软胶囊（透明、不

透明）丸剂等固体制剂或固体颗粒（如糖果、坚果、蜜饯等）智能化程度高；各单机均为中英文对话控制面板。多项自检报警功能，全线联动性好，运行流畅。

效率高；完全从操作的角度出发，易操作、易调整、易清洁、易维修、运行成本低、维护成本低。操作人数只需三人左右。占地面积小（内包间使用面积 < 30平方米），能耗低。

采用人机界面控制面板（触摸屏），控制系统采用名牌PLC。

Overview

JF-A160-16 Grain counting bottling packaging linkage production line is made up of JF-A160 bottle unscramble, JF-16 electronic counting machine, JF-C120 automatic desiccant inserter (cotton inserter or paper inserter), JF-D902 capping screwing machine, JF-M1 Induction sealer (JF-M2 water-cooled induction sealer) and JF-T1 round bottle side face labler (coding machine).

Wide applicability, with our advanced anti-dust technology, it can be used for tablets (including abnormal tablets), capsules, gels (including abnormal gels, transparent gels and opaque gels) pearls and most kind of tablets.

High-intelligence: intelligent design of each machine with interactive operating multi-language panel. Can save 10~20 kinds of different operating parameters and easy to load for different products. Self-diagnose, displays errors and make alarms. Well cooperation between each machine and in the whole line.

High efficiency. Take purposed to operate, easy to operate, to adjust, to clean and to maintain. Low working cost, low maintain cost. 3 workers will be enough to operate.

Small in size (inner packing room 30m² max) and low cost in power.

Control system: adopting PLC and touch screen control.

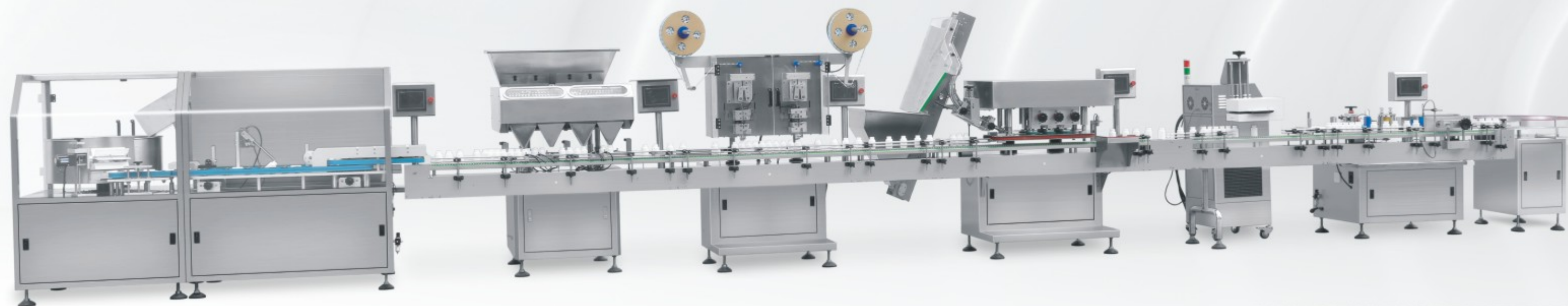
主要技术参数 Main technical parameters

型号 Model	设备名称 Name	适用对象 Applicable	生产能力 (bottles/min) Output	电源 Power Supply	功率 Power	用气量 (m ³ /min)	设备尺寸(mm) Net Dimension
JF-A160-16	电子数粒瓶装包装生产线	Φ20以下丸剂，兼容000-5号胶囊、软胶囊，Φ5.5-Φ22素片、异形片、糖衣片	40-100瓶/分钟(与药品品种、大小、药瓶规格、瓶装量有关)	220V / 50HZ	4.5KW	1.0	10000*2500

INTEGRATED

Tablets/capsules/pills Automatic Packing Line (High-speed Line)

多功能片剂、丸剂、胶囊瓶装生产线 (高速线)



概述

JF-2000-32型数粒机瓶装包装联动生产线是由JF-2000高速理瓶机、JF-32道电子数粒机、JF-C120干燥剂塞入机(塞棉或者塞纸)、JF-D903高速旋盖机、JF-M2电磁感应高速水冷铝箔封口机和JF-T1不干胶圆瓶侧面贴标机(打码机)。

全线兼容性强,光电技术采用本公司先进的抗高粉尘技术,全面兼容片剂(包括异形片)、胶囊、软胶囊(透明、不

透明)丸剂等固体制剂或固体颗粒(如糖果、坚果、蜜饯等)智能化程度高;各单机均为中英文对话控制面板。多项自检报警功能,全线联动性好,运行流畅。

效率高;完全从操作的角度出发,易操作、易调整、易清洁、易维修、运行成本低、维护成本低。操作人数只需三人左右。

占地面积小(内包间使用面积<30平方米),能耗低。采用人机界面控制面板(触摸屏),控制系统采用名牌PLC。

Overview

JF-2000-32 Grain counting bottling packaging linkage production line is made up of JF-2000 bottle unscramble, JF-32 electronic counting machine, JF-C120 automatic desiccant inserter(cotton inserter or paper inserter), JF-D903 high speed capping screwing machine, JF-M2 Water-cooled induction sealer JF-T1 round bottle side face labler (coding machine).

Wide applicability, with our advanced anti-dust technology, it can be used for tablets(including abnormal tablets), capsules, gels(including abnormal gels, transparent gels and opaque gels) pearls and most kind of tabloids.

High-intelligence: intelligent design of each machine

with interactive operating multi-language panel. Can save 10-20 kinds of different operating parameters and easy to load for different products. Self-diagnose, displays errors and make alarms. Well cooperation between each machine and in the whole line.

High efficiency. Take purposed to operate, easy to operate, to adjust, to clean and to maintain. Low working cost, low maintain cost. 3 workers will be enough to operate.

Small in size (innerpackingroom30m²max) and low cost in power.

Control system: adopting PLC and touch screen control.

主要技术参数 Main technical parameters

型号 Model	设备名称 Name	适用对象 Applicable	生产能力 (bottles/min)Output	电源 Power Supply	功率 Power	用气量 (m ³ /min)	设备尺寸(mm) Net Dimension
JF-2000-32	电子数粒瓶装包装生产线	Φ20以下丸剂,兼容000-5号胶囊、软胶囊,Φ5.5-Φ22素片、异形片、糖衣片	70-160瓶/分钟(与药品品种、大小、药瓶规格、瓶装量有关)	220V / 50HZ	8.0KW	1.5	11500*2500

POWDER

Filling production line

粉剂称重灌装生产线



概述

粉剂称重灌装生产线是由理瓶机、粉剂灌装、旋盖机、铝箔封口机和不干胶圆瓶侧面贴标机（打码机）组成；

全线兼容性强，只要调节定位装置就可适合不同规格的圆形罐和异形罐的计量、充填；

智能化程度高：各单机均为中英文对话控制面板。多项自检报警功能，全线联动性好，运行流畅；

效率高：完全从操作的角度出发，易操作、易调整、易清洁、易维修、运行成本低、维护成本低。操作人数只需三人左右；

占地面积小（内包间使用面积 < 30平方米），能耗低。

采用人机界面控制面板（触摸屏），控制系统采用名牌 PLC。

Overview

Powder weighing and filling production line is composed of a bottle unscrambler, powder filling machine, capping machine, aluminum foil sealing machine and labeling machine (coding machine)

The whole line has strong compatibility. As long as the positioning device is adjusted, it can be suitable for the measurement and filling of round tanks and special-shaped tanks of different specifications.

High degree of intelligence: each stand-alone machine is a Chinese-English dialogue control panel. Multiple self-checking alarm functions, good linkage and smooth operation across the board.

High efficiency: From the perspective of operation, it is easy to operate, easy to adjust, easy to clean, easy to maintain, low operating cost, and low maintenance cost. The number of operators is only about three people.

It occupies a small area (useable area of the inner private room is less than 30 square meters), and has low energy consumption.

The man-machine interface control panel (touch screen) is adopted, and the control system adopts the famous brand PLC.

主要技术参数 Main technical parameters

型号 Model	设备名称 Name	适用对象 Applicable	生产能力 (bottles/min)Output	电源 Power Supply	功率 Power	用气量 (m ³ /min)	设备尺寸(mm) Net Dimension
JF-P01	粉剂称重 灌装生产线	奶粉/米粉/蛋白粉/豆奶粉/咖啡粉/胡椒粉/香精香料/添加剂等粉状物料	10-40瓶/分钟（与药品品种、药瓶规格、瓶装量等有关）	220V / 50HZ	7.0KW	1.0	10000*2500

LINEAR

Granule particle weighing filling machine

直线颗粒灌装生产线



概述

直线颗粒灌装生产线是由理瓶机、颗粒灌装器、旋盖机、铝箔封口机和不干胶圆瓶侧面贴标机（打码机）组成。

全线兼容性强，计量精准，一机多用，通用性强，适用于花生、瓜子、干虾、薯片、花生米、麦片、膨化食品、干燥剂、碎茶等各种无粘性松散型颗粒等等。

智能化程度高：各单机均为中英文对话控制面板。多项自检报警功能，全线联动性好，运行流畅。

效率高：完全从操作的角度出发，易操作、易调整、易清洁、易维修、运行成本低、维护成本低。操作人数只需三人左右。

占地面积小（内包间使用面积 < 30平方米），能耗低。

采用人机界面控制面板（触摸屏），控制系统采用名牌 PLC。

主要技术参数 Main technical parameters

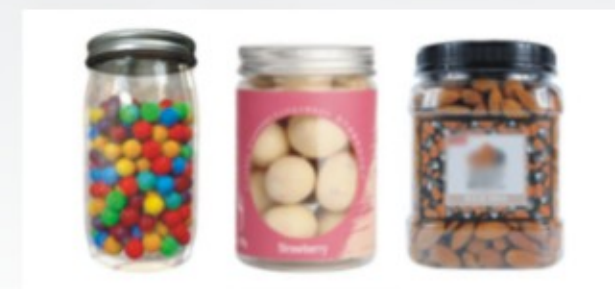
型号 Model	设备名称 Name	适用对象 Applicable	生产能力 (bottles/min)Output	电源 Power Supply	功率 Power	用气量 (m ³ /min)	设备尺寸(mm) Net Dimension
JF-DZC	直线颗粒 灌装生产线	花生/瓜子/干虾/薯片/ 花生米/麦片/膨化食品/ 干燥剂/碎茶等各种 无粘性松散型颗粒等	20-50瓶/分钟 (具体根据物料和 下料头数而定)	220V / 50HZ	8.5KW	1.0	10000*2500

Overview

The linear particle filling production line is composed of bottle management machine, particle filling machine, capping machine, aluminum foil sealing machine and self-adhesive round bottle side labeling machine (coding machine).

The whole line has strong compatibility, accurate measurement, multi-purpose and strong universality. It is suitable for all kinds of non viscous loose particles such as peanuts, melon seeds, dried shrimp, potato chips, peanuts, Cereals, puffed food, desiccant, broken tea and so on.

High degree of intelligence: each single machine is a dialogue control panel in Chinese and English. Multiple self



inspection and alarm functions, good linkage of the whole line and smooth operation.

High efficiency: from the perspective of operation, it is easy to operate, easy to adjust, easy to clean, easy to repair, low operation cost and low maintenance cost. The number of operators is only about three.

The floor area is small (the use area of the private room is less than 30 square meters) and the energy consumption is low.

The man-machine interface control panel (touch screen) is adopted, and the control system adopts famous brand PLC.

JF-XJG

Filling and Rolling Cap Production Line
灌装旋轧盖生产线



用途

本线由供瓶机,灌装旋(轧)盖机,铝箔封口机,不干胶贴标机组成。为全自动生产线,可做更换件及可变换瓶种,变换范围30-500ml之间圆形瓶,整线联动生产产量30-60瓶/分钟。

灌装、轧(或旋)盖二机合一的高速灌装封机,适用于种30-500ml塑料瓶的液体灌装和旋盖。机器采用直线式结构,伺服电机灌装,调节装量方便。灌装头自动伸入瓶内,液体无溢;为防止药液污染工作台,机器设有无瓶不灌装装置;采用高精度计量机构,触摸屏调整方便装量准确;组合式灌装管路及灌装组件,拆卸、消毒十分方便;(旋)盖力大小可以调整,保证瓶盖外观不被损坏;采用变频调整系统,能方便地适应各种不同规格的瓶子及不同粘度液体灌装的不同需求。

Purpose

This line consists of bottle feeding machine, filling (spinning) capping machine, aluminum foil sealing machine and self-adhesive labeling machine. It is a full-automatic production line, which can be used as replacement parts and changeable bottle types. The transformation range is between 30-500ml round bottles. The whole line linkage production output is 30-60 bottles / min.

The filling, rolling (or capping) two in one high-speed filling and sealing machine is suitable for liquid filling and capping of 30-500ml plastic bottles. The machine adopts linear structure and servo motor filling, which is convenient to adjust the filling volume. The filling head automatically extends into the bottle without liquid overflow; In order to prevent liquid medicine from polluting the workbench, the machine is equipped with a device without bottle and no filling; High precision metering mechanism is adopted, and the touch screen is easy to adjust and the loading is accurate; The combined filling pipeline and filling components are very convenient for disassembly and disinfection (The capping force can be adjusted to ensure that the appearance of the bottle cap is not damaged; The frequency conversion adjustment system is adopted, which can easily meet the different needs of filling bottles of different specifications and liquids with different.

主要技术参数 Main technical parameters

型号 Model	生产能力 (bottles/min) Output	灌装头数 Number of filling heads	灌装精度 Filling accuracy	旋盖合格率 Screw cap pass rate	封口率 Sealing rate	电源 Power Supply	功率 power	外形尺寸 Dimensions
JF-XJG	30-60瓶/分 bottles / min	30-500ml 口服液瓶 oral liquid bottle	4-6头	± 1%	≥ 99%	380V/50Hz 三相四线制 three-phase four wire system	3Kw	5700 × 1550 × 1650mm



用途

该生产线由速理机, 高速灌机, 高速接盖机, 立式不胶贴标机组成。各机可联线使用也可单机使用主要适用于制药保健品、食品饮料、化工、农药等行业。可完成包装液体、半流体类的自动理瓶、灌装, 上盖旋盖, 贴标等工序均为全自动, 符合药品生产规范要求。

Purpose

The production line is composed of quick processing machine, high-speed filling machine, high-speed capping machine and vertical non adhesive labeling machine. Each machine can be used in line or single machine. It is mainly suitable for pharmaceutical and health products, food and beverage, chemical industry, pesticide and other industries. It can complete the automatic bottle management, filling, capping, capping, labeling and other processes of packaging liquid and semi fluid, which are fully automatic and meet the requirements of drug production specifications.

主要技术参数 Main technical parameters

型号 Model	使用规格 Applicable specifications	生产能力 (bottles/min) Output	装量误差 Filling error	产品合格率 The rate of qualified products	耗气量 Air consumption	电源 Power Supply	总功率 Total power	速度控制 Speed control
JF-YT	20-50m	(以100ml为例) 50-60瓶/分钟(采用四泵灌装) 60-100瓶/分钟(采用八泵灌装) 100-150瓶/分钟(采用十二泵灌装) 150-200瓶/分钟(采用十六泵灌装)	≤1%	≥99%	15m/h 0.4-0.6Mpa	220/380V 50H	≤5Kw	变频调速

ELECTRONIC

Counters

电子数粒机系列



JF-8电子数粒机
Electronic Counting Machine



JF-12电子数粒机
Electronic Counting Machine



JF-16电子数粒机
Electronic Counting Machine



JF-24电子数粒机
Electronic Counting Machine



JF-32电子数粒机
Electronic Counting Machine



JF-48电子数粒机
Electronic Counting Machine

概述

电子数粒机是本公司的主打产品，是经过了一段时间的研究、反复的实验才成功的开发出的稳定、可靠的电子数粒设备。设备的核心部件及控制系统均采用进口原装配件。该机器主要由装料料斗、震动输送、光电传感、粉尘储存、人机界面等组成。

兼容性好：可以对片剂（包括异型片）、胶囊、软胶囊（透明、不透明）、丸剂等固体制剂或固体颗粒进行计数装瓶。

抗高粉尘：采用本公司研发的抗高粉尘光电传感技术，在高粉尘的情况下一样可以稳定工作。

防止堵药：特殊结构的漏嘴，能防止堵药，瓶口小的药瓶也能快速装瓶。

物料无损：伤下料、出料均匀平稳、不损伤物料、保证瓶装准确。

检测功能：具有无瓶不数、故障自检等多项检测报警控制功能。

Overview

Electronic counting machines are our company's star products, which is a stable, reliable electronic products that was successfully developed through repeated experiment after a long time research. Its core part and control system adopt imported original accessories. It mainly consists of such structures as hopper, vibration transmission, photoelectric sensor, dust storage box, human-computer interface.

Main features Wide applicability Used for tablets(including abnormal tablets),capsules, gels(including abnormal gels, transparent gels and opaque gels),pills and most solid granules.

Anti-dust Using our own original high anti-dust sensor technology, the machine works accurately with good stability in heavy dust conditions.

Avoid the materials jam Hopper mouth of special structure, to prevent the material jam, small mouth bottle can quickly bottling.

Protect materials from harm Feeding evenly with quiver, special patent filling part, no breakage of the material

Detection function No bottles will not count and fill. Automatically remove bottles of filling abnormalities. Self-diagnose errors and stop working to make alarm at errors.

主要技术参数 Main technical parameters

型号 Model	适用对象 Applicable	装量范围 Working range	生产能力 (bottles/min)Output	电源和功率 Power supply	外形尺寸 Overall dimension	重量 Weight	备注 Remarks
JF-8A/JF-8B	A型: 0-5#胶囊、软胶囊、 Φ5.5-12素片、异形片、 糖衣片, Φ3-12丸剂	2-9999粒片 可调	10-30瓶/分钟	220V/50HZ/0.6KW	1360*1350*1650mm 1360*1650*1650mm	250kg 300kg	与瓶子规格、 装量, 药品 规格有关 It is related to bottle specification, filling capacity and drug specification
JF-12A/JF-12B	B型: 00-5#胶囊、软胶囊、 < Φ22素片、异形片、 糖衣片, Φ3-20丸剂		20-40瓶/分钟	220V/50HZ/0.8KW	1360*1350*1650mm 1360*1650*1650mm	320kg 380kg	
JF-16A/JF-16B			20-80瓶/分钟	220V/50HZ/1.2KW	1360*1350*1650mm 1360*1650*1650mm	420kg 550kg	
JF-24A/JF-24B	A: 0-5# capsule, soft capsule Φ5.5-12 plain tablets, profiled tablets, sugar coated tablets, Φ3-12 pills; Type	2-9999 Pellet Adjustable	20-90瓶/分钟	220V/50HZ/1.5KW	1760*1350*1650mm 1760*1650*1650mm	450kg 580kg	
JF-32A/JF-32B	B: 00-5# capsule, soft capsule, < Φ22 plain tablets, profiled tablets, sugar coated tablets, Φ3-20 pills		40-120瓶/分钟	220V/50HZ/2.2KW	2160*1450*1650mm 2160*1650*1650mm	550kg 620kg	
JF-48A/JF-48B			40-150瓶/分钟	220V/50HZ/2.5KW	2160*1350*1650mm 2160*1650*1650mm	620kg 680kg	

JF-B8

Desktop Electronic counting machine

桌上型8道电子数粒机



概述

桌上型的这种数粒机小巧精致占地面积小, 使用成本低, 比较适合研究机构, 医院, 新办的小型药厂、保健品厂。

主要技术参数 Main technical parameters

型号 Model	设备名称 Name	生产能力 (bottles/min) Output	装量范围 (ml) Working range	电源功率 Power supply	外形尺寸 (mm) Net Dimension	重量 (kg) Weight
JF-B8	桌上型8道电子数粒机 Table type 8-channel electronic granulator	10-30	2-9999	220V/50HZ/0.6KW	1050*700*700	150

主要特点

- 兼容性好: 可以对片剂(包括异形片)、胶囊、软胶囊(透明、不透明)、丸剂等固体制剂或固体颗粒进行计数装瓶。
- 抗高粉尘: 采用本公司研发的抗高粉尘光电传感技术, 在高粉尘的情况下一样可以稳定工作。
- 检测功能: 具有无瓶不数、故障自检等多项检测报警控制功能。
- 防止堵药: 特殊结构的漏嘴, 能防止堵药, 瓶口小的药瓶也能快速装瓶。
- 物料无损伤: 下料、出料均匀平稳, 不损伤物料, 保证瓶装准确。

Main features

- Wide applicability Used for tablets(including abnormal tablets),capsules, gels(including abnormal gels, transparent gels and opaque gels),pills and most solid granules.
- Anti-dust Using our own original high anti-dust sensor technology, the machine works accurately with good stability in heavy dust conditions
- Detection function No bottles will not count and fill .Automatically remove bottles of filling abnormalities. Self-diagnose errors and stop working to make alarm at errors.
- Avoid the materials jam Hopper mouth of special structure, to prevent the material jam, small mouth bottle can quickly bottling.
- Protect materials from harm Feeding evenly with quiver, special patent filling part, no breakage of the material

Overview

This kind of desktop electronic counting machine is smart ,cute , less space demand and lower cost. That is much more suitable for research institutions, hospitals, new small pharmaceutical factories and health products factories.

JF-16C

Electronic Counting Machine (vibrating blanking with waste kicking function)

电子数粒机 (振动下料, 带踢废功能)



概述 Overview

这款电子数粒机是本公司新研发的电子数粒设备。设备的核心部件及控制系统均采用进口原装配件。该机器主要由装料料斗、震动输送、光电传感、抖动下料、粉尘储存、人机界面、废料剔除等组成。

This electronic counting machine is the latest electronic counting machine developed by our company. The core components and control system of the equipment adopt imported original parts. The machine is mainly composed of loading hopper, vibration conveying, photoelectric sensor, shaking filling, dust storage, man-machine interface, waste removal, etc.

主要特点 Main features

- 兼容性好: 可以对片剂(包括异形片)、胶囊、软胶囊(透明、不透明)、丸剂等固体制剂或固体颗粒进行计数装瓶;
- 抗高粉尘: 采用本公司研发的抗高粉尘光电传感技术, 在高粉尘的情况下一样可以稳定工作;
- 抖动下料: 特殊的下料结构, 灌装速度更快, 亦可定制其它型号的设备;
- 废料剔除: 尺寸不一样的物料, 经过光电眼的检测, 自动剔除;
- 防止堵药: 特殊结构的漏嘴, 能防止堵药, 瓶口小的药瓶也能快速装瓶
- 物料无损伤: 下料、出料均匀平稳, 不损伤物料, 保证瓶装准确;
- 检测功能: 具有无瓶不数、故障自检等多项检测报警控制功能。

主要技术参数 Main technical parameters

型号 Model	设备名称 Name	适用对象 Size of bottles(ml)	生产能力 (瓶/分钟) Output(bottles/min)	电源功率 Power supply	外形尺寸 (mm) Net Dimension	重量 (kg) Weight
JF-16C	全自动干燥剂 塞入机	2-9999	40-100	220V/50HZ/1.2KW	1800*1450*1700	580



- Wide applicability Used for tablets(including abnormal tablets),capsules, gels(including abnormal gels, transparent gels and opaque gels),pills and most solid granules.
- Anti-dust Using our own original high anti-dust sensor technology, the machine works accurately with good stability in heavy dust conditions
- Shaking filing Special filling structure, faster filling speed, and other types of equipment can be customized
- Waste Removal Materials with different sizes are automatically rejected after being detected by the photoelectric eye
- Avoid the materials jam Hopper mouth of special structure, to prevent the material jam, small mouth bottle can quickly bottling.
- Protect materials from harm Feeding evenly with quiver, special patent filling part, no breakage of the material
- Detection function No bottles will not count and fill .Automatically remove bottles of filling abnormalities. Self-diagnose errors and stop working to make alarm at errors.

JF-2/JF-4

Manual counting machine
半自动桌上型数粒机



概述

概述：桌上型的这种数显式数粒机小巧精致占地面积小，使用成本低，适用医药、食品、机械等各个行业。

主要特点

数粒数量由0-9999可任意设定；全集不锈钢材质，符合GMP要求；操作简单，不需要特殊训练即可操作；特殊电眼保护装置，可确保数粒准确；回转式计数设计，计数快速，运转平稳；回转数粒速度可视人工放瓶之速度作无极调整；机器内部附吸尘装置，可避免粉尘对机器的影响；振动式送料设计，储粒槽振动频率可视药粒送出之需要，无极调速。

主要技术参数 Main technical parameters

型号 Model	产量 Output	片剂直径 Diameter	适用胶囊 Capsule size	电源电压 Voltage	电机功率 Power	机器重量 Weight	机器尺寸 Overall size
JF-2	1000-2000 Pcs/min	5-25mm 药片、药丸 Pill&Tablet	0#-5# 胶囊，软胶囊 Capsule& Softgel	110V/220V 50-60Hz	100W	50KG	810*720*840mm
JF-4	2000-4000 Pcs/min	5-25mm 药片、药丸 Pill&Tablet	0#-5# 胶囊，软胶囊 Capsule& Softgel	110V/220V 50-60Hz	100W	75KG	980*790*930 MM

Overview

Overview: This desktop type digital counting machine is compact and exquisite, with a small footprint and low cost. It is suitable for various industries such as medicine, food, machinery and so on.

Main features

Number of grains can be set arbitrarily from 0-9999; Complete set of stainless steel material, in line with GMP requirements; Simple operation, no special training is required to operate; Special electric eye protection device to ensure accurate counting; Rotary counting design, fast counting and stable operation; The speed of revolving grain counting can be adjusted steplessly according to the speed of manual bottle setting; There is a dust suction device inside the machine to avoid the influence of dust on the machine;

Vibratory feeding design, the vibration frequency of the granule storage tank can be adjusted according to the needs of the medicine granule delivery, and the speed is stepless.

JFSP-1

Semi-auto Bottle Unscrambler
送瓶机



主要特点

操作简单，换瓶子时不需更换配件，只要进行简单的调节。

适用性强，适用各种材质的圆形瓶、方瓶、扁方瓶，尤其适用较大规格的瓶子。

占地小、维护简便。

Main features

Easy operation, change bottles no need to change parts, just simple adjustment.

Strong applicability, suitable for round, square and flat square bottles made of all kinds of materials, especially good for big size bottles.

Small area occupation and convenient maintenance.



概述

JFSP-1 送瓶机是由人工将瓶口朝上的瓶子放到转盘上，然后瓶子通过转盘会自动进入到下输送带。

Overview

JFSP-1 Semi-auto Bottle Unscrambler requires those bottles with bottlenecks facing upwards to be placed manually onto rotating disks, then bottles automatically enter next conveyor belt via rotating disks.

主要技术参数 Main technical parameters

型号 Model	设备名称 Name	生产能力 (bottles/min) Output	适用对象 Size of bottles(ml)	电源功率 Power supply	外形尺寸 (mm) Net Dimension	重量 (kg) Weight
JFSP-1	送瓶机	20-80	15-750	220V/50HZ/0.1KW	900*900*1000	95

JF-A100

Automatic Bottle Unscrambler

自动理瓶机



主要特点

设备装有出瓶定量控制检测及过载保护装置。

操作方便，维修简单，运行可靠。
机架和机身采用304优质不锈钢材料，便于清洗和消毒，整体无死角，符合GMP要求。

This machine is equipped with quantity control system and overload protection device.

JF-A100 Automatic Bottle Unscrambler is a machine with convenient operation, easy maintenance and steady performance.

The machine is made up of high-quality 304 stainless steel, easy to clean and sterilize . Meet GMP standards.

Overview

JF-A100 Automatic Bottle Unscrambler is an equipment that can automatic packing bottles, automatic transport bottles.

概述

JF-A100自动理瓶机是一款自动整理瓶子，自动输送的理瓶设备。

主要技术参数 Main technical parameters

型号 Model	设备名称 Name	适用对象 Size of bottles(ml)	生产能力 (瓶/分钟) Output(bottles/min)	电源功率 Power supply	外形尺寸 (mm) Net Dimension	重量 (kg) Weight
JF-A100	自动理瓶机	15-150	30-100	220V/50HZ/0.15KW	950*950*1000	220

JF-A160

Automatic Bottle Unscrambler

自动理瓶机



主要特点

设备装有出瓶定量控制检测及过载保护装置。

操作方便，维修简单，运行可靠。
机架和机身采用304优质不锈钢材料，便于清洗和消毒，整体无死角，符合GMP要求。

无需用气瓶吹瓶，利用自动反瓶机构，并配有集瓶装置，大大提高生产效率。

This machine is equipped with quantity control system and overload protection device.

JF-A160 Bottle Unscrambler is a machine with convenient operation, easy maintenance and steady performance.

The machine is made up of high-quality 304 stainless steel, easy to clean and sterilize . Meet GMP standards.

Equipped with automatic anti-bottle mechanism and collecting bottle device, highly improve production efficiency.

概述

JF-A160自动理瓶机是机电一体化，集理瓶，输送于一体的包装机设备



Overview

JF-A160 Automatic Bottle Unscrambler is electromechanical integration, assembles packing bottles, conveying packaging machine equipment.

主要技术参数 Main technical parameters

型号 Model	设备名称 Name	适用对象 Size of bottles(ml)	生产能力 (瓶/分钟) Output(bottles/min)	电源功率 Power supply	外形尺寸 (mm) Net Dimension	重量 (kg) Weight
JF-A160	自动理瓶机	50-300	60-160	220V/50HZ/0.15KW	1050*1150*1250	300

JF-A160B

Automatic Bottle Unscrambler

自动理瓶机



概述

JF-A160B自动理瓶机是机电一体化，集理瓶，输送于一体的包装机设备。

Overview

JF-A160 Automatic Bottle Unscrambler is electromechanical integration, assembles packing bottles, conveying packaging machine equipment.

主要特点

显示屏操作，更简单方便操作。
设备装有出瓶定量控制检测及过载保护装置。
操作方便，维修简单，运行可靠。
机架和机身采用304优质不锈钢材料，便于清洗和消毒，整体无死角，符合GMP要求。
设备加气瓶吹瓶，加上特有自动反瓶机构，并配有集瓶装置，大大提高准确率。

Main features

Human interface display operation, simpler and more convenient operation
This machine is equipped with quantity control system and overload protection device.
Bottle Unscrambler is a machine with convenient operation, easy maintenance and steady performance.
The machine is made up of high-quality 304 stainless steel, easy to clean and sterilize. Meet GMP standards.
The equipment is equipped with aerated bottle blowing, plus a special automatic bottle reversing mechanism, and is equipped with a bottle collecting device, which greatly improves the accuracy rate.

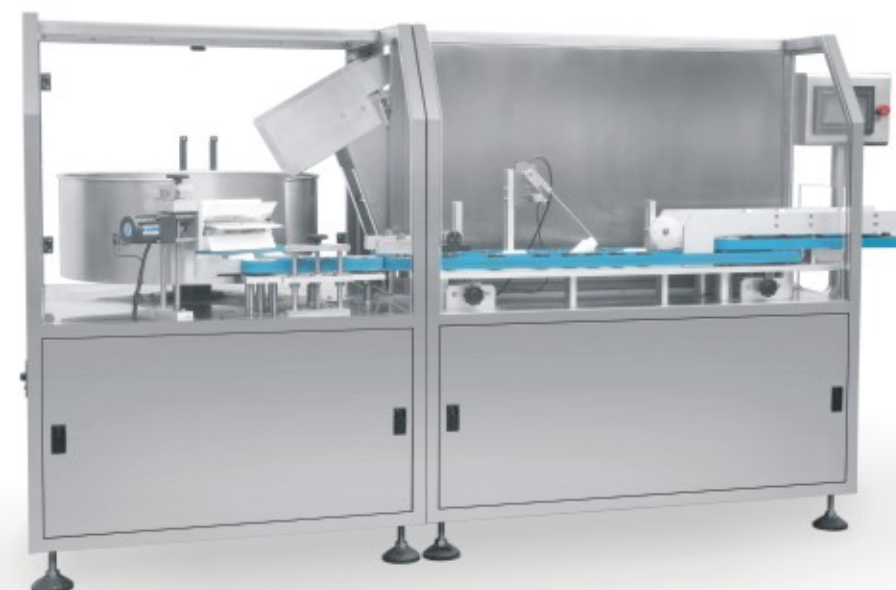
主要技术参数 Main technical parameters

型号 Model	设备名称 Name	适用对象 Size of bottles(ml)	生产能力(瓶/分钟) Output(bottles/min)	电源功率 Power supply	外形尺寸(mm) Net Dimension	重量(kg) Weight
JF-A160B	自动理瓶机	50-300	60-160	220V/50HZ/0.15KW	1050*1150*1250	300

JF-2000

High Speed Bottle Unscrambler

高速自动理瓶机



概述

高速理瓶机是新一代机电一体化的理瓶机(有瓶子提升装置，瓶子整理装置及理瓶机主机组合而成)，它解决了目前市场上只能对圆瓶、矩形瓶子的理瓶问题，适合多种形状瓶子的理瓶。

Overview

High Speed Bottle Unscrambler is the latest generation mechatronical equipment (consists of bottle lifting device, arranging device and the mainframe). Generally unscrambler in current market is only available to arrange round or rectangular bottles. But the latest machine can solve the problem and applicable to various size of bottles.

主要特点

设备采用触摸屏操作，PLC控制，有计数，工作参数设定，显示等功能，在参数范围内调整
兼容性强，可适用各种规格的圆形、方形、扁方形、异形塑料瓶。
装有出瓶定量控制检测及过载保护装置
特殊的理瓶和上瓶机构，出瓶速度快，可保证高速瓶装线供瓶需要
机架和机身均采用优质304不锈钢材料制成，便于清洗消毒。

Main features

Equipped with touch screen and PLC control system ,providing easy access to all settings within the range of parameters.
Wide applicability, used for round ,square ,flat and special shape bottle made of plastic.
This machine is equipped with quantity control system and overload protection device.
Special conveying and packing structure design ,high speed output, cooperate with high speed packing line.

主要技术参数 Main technical parameters

型号 Model	设备名称 Name	适用对象 Size of bottles(ml)	生产能力(瓶/分钟) Output(bottles/min)	电源功率 Power supply	空压 pressure(MPA)	用气量(m³/h) Consumption air	外形尺寸(mm) Net Dimension	重量(kg) Weight
JF-2000	高速理瓶机	15-500ml圆形、方形、扁方形、异型塑料瓶	40-150	220V/50HZ/0.55KW	0.5	0.2	2400*1050*1450	550

JF-C120

Automatic desiccant inserting machine

全自动干燥剂塞入机



概述

JF-C120型全自动干燥剂塞入机是机电一体化，并装有无瓶停机、有瓶工作装置确保工作的准确性和连续性。

主要技术参数 Main technical parameters

型号 Model	设备名称 Name	适用对象 Size of bottles(ml)	生产能力(瓶/分钟) Output(bottles/min)	电源功率 Power supply	空压 (MPa) pressure	用气量 (m ³ /h) Consumption air	外形尺寸 (mm) Net Dimension	重量 (kg) Weight
JF-C120	全自动干燥剂塞入机	15-500ml圆形、方形、扁方形、异型塑料瓶	50-120	220V/50HZ/ 0.5KW	0.4	0.3	1150*800*1900	300

JF-C120

Automatic desiccant inserting machine

(Double discharge)

全自动干燥剂塞入机(双出料)



主要特点

采用人机界面控制面板，控制系统采用PLC，有计数工作参数设定，显示等功能；
高耐用刀口，剪切准确可靠，不会切破干燥剂包；
操作方便，维修简单，运行稳定；
采用气动夹瓶结构使瓶子既平稳又准确全自动运行，与上下道工序智能联控，协调性好，无需专人操作，节约人工。

Main features

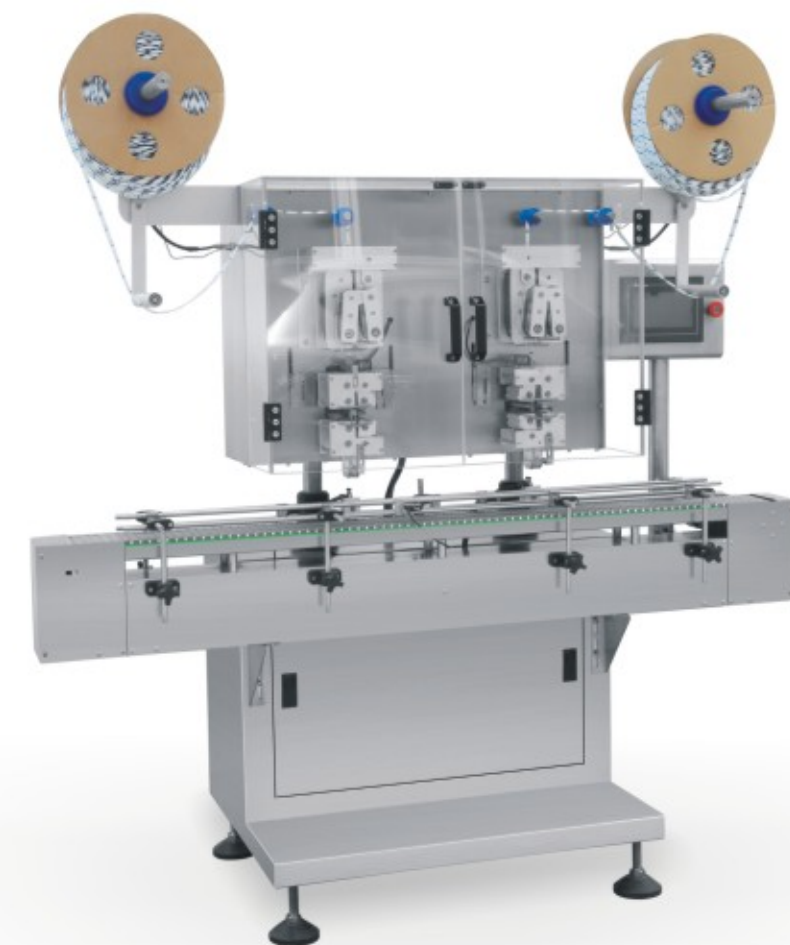
The machine equipped with human-computer interface and PLC control system, providing easy access to all settings within the range of parameters;
High shear knife age ,accurate and reliable , avoid breakage of the desiccant bags;
Easy operation , simple maintenance and stable operation;
Positioning adopts pneumatic clamping mechanism to clamp bottles stably and accurately.

概述

JF-C120型全自动干燥剂塞入机是机电一体化，并装有无瓶停机、有瓶工作装置确保工作的准确性和连续性。

主要技术参数 Main technical parameters

型号 Model	设备名称 Name	适用对象 Size of bottles(ml)	生产能力(瓶/分钟) Output(bottles/min)	电源功率 Power supply	空压 (MPa) pressure	用气量 (m ³ /h) Consumption air	外形尺寸 (mm) Net Dimension	重量 (kg) Weight
JF-C120	全自动干燥剂塞入机	15-500ml圆形、方形、扁方形、异型塑料瓶	80-200	220V/50HZ/ 1.2KW	0.6	0.4	1900*800*1900	520



Overview

JF-C120 Automatic desiccant inserting machine is the mechatronics equipment installed with devices of stopping operation in time of lacking bottles, starting working when bottles are in place.

JF-S120

Automatic cotton inserting machine

全自动塞棉机



主要特点

适用多种规格,多种材料的圆形、扁圆形,方形,扁方形塑料瓶;
具有无瓶不工作,故障自检,换棉条预警等多项检测报警控制功能;
采用气动塞棉,避免了机器对物料污染。

Main features

Wide applicability, used for round ,square ,flat and special shape bottle made of plastic;
Self-diagnose and stop working to make alarm at errors and missing bottles as well as change cotton sliver;
Patented cotton-insert technology ,using pneumatic cotton-insert technology to avoid pollution of materials.

概述

JF-S120全自动塞棉机 适合各种等级、重量的棉花条,棉条由电机控制的压轮拉出长度,再由入瓶气缸动作,将棉花以U型塞入要瓶内。

Overview

JF-S120 Automatic cotton inserting machine suitable for all kinds of grade and weight cotton strips. The sliver is pulled out by the pressure wheel controlled by the motor, and then the cylinder movement, the cotton is packed into the bottles with the U-type.

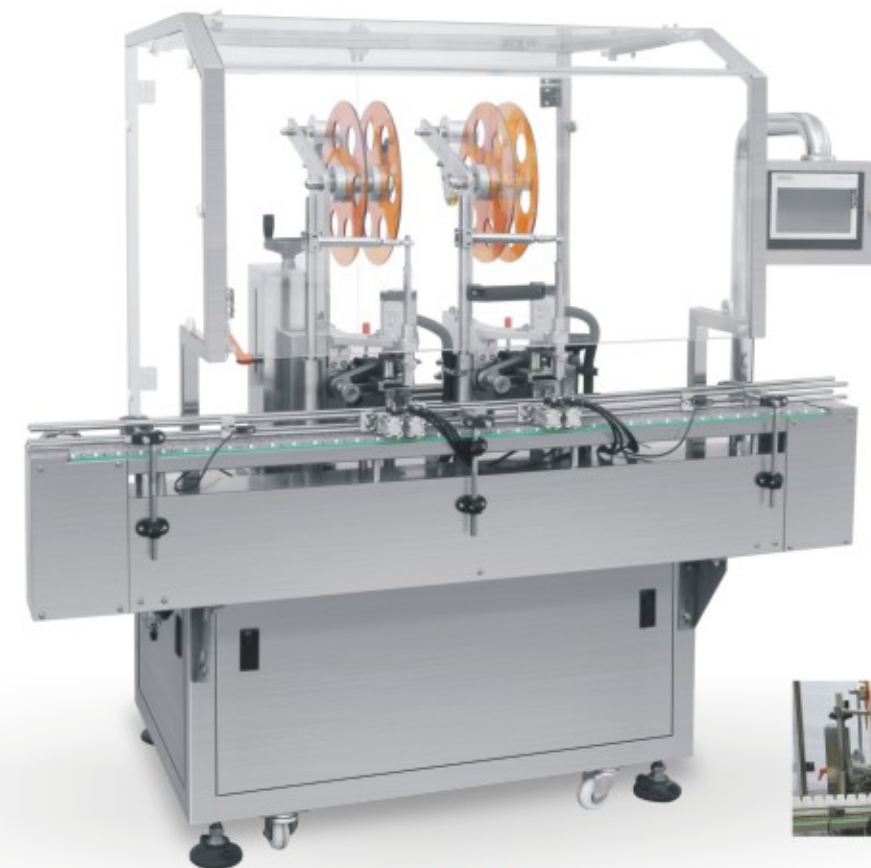
主要技术参数 Main technical parameters

型号 Model	设备名称 Name	适用对象 Size of bottles(ml)	生产能力(瓶/分钟) Output(bottles/min)	电源功率 Power supply	空压(MPa) pressure	用气量(m ³ /h) Consumption air	外形尺寸(mm) Net Dimension	重量(kg) Weight
JF-S120	全自动塞棉机	瓶口不小于Φ17mm的圆形、方形、扁方形、异型塑料瓶	30-50	220V/50HZ/0.7KW	0.6	0.3	1400*800*1550	280

JF-Z120

Paper inserter

高速双头塞纸机



概述

JF-Z120 高速双头塞纸机是目前国内速度较快,稳定性良好的设备。该机采用独特的倒塞纸技术,以确保塞纸质量,防止纸边角露在瓶口,避免影响旋盖和封口的质量,设备采用机、电、气一体化设计;人机界面操作、PLC控制、伺服电机定位,使设备运行更稳定,操作更方便,同时还可实现一次塞入多张纸。设备的速度可自行调节并装有自动安全保护装置,以确保生产过程中的安全性、准确性。

Overview

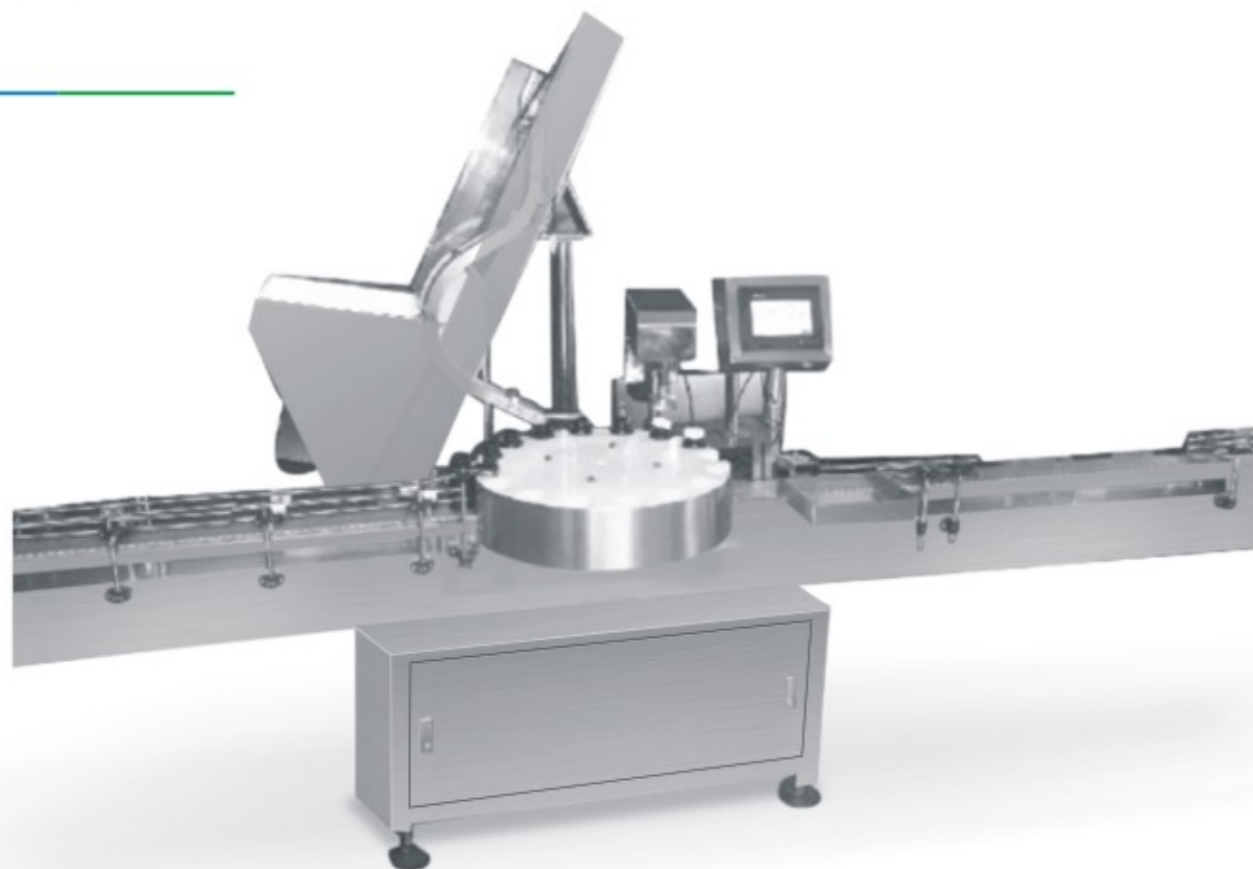
JF-Z120 high-speed double head paper stopper is a domestic equipment with fast speed and good stability. The machine adopts a unique inverted stopper paper technology to ensure the quality of stopper paper, prevent the edges and corners of paper from exposing at the bottle mouth and avoid affecting the quality of capping and sealing. The equipment adopts the integrated design of machine, electricity and gas; Human machine interface operation, PLC control and servo motor positioning make the equipment run more stably and operate more conveniently. At the same time, it can also insert multiple sheets of paper at one time. The speed of the equipment can be adjusted by itself and equipped with automatic safety protection device to ensure safety and accuracy in the production process.

主要技术参数 Main technical parameters

型号 Model	设备名称 Name	生产能力(瓶/分) Output (btl/min)	适用范围(ml) Applicable range	电源电压 Power supply	设备功率 Power (kw)	用气量(m ³ /h) Air supply	气源压力(Mpa) Air pressure	外形尺寸(mm) Net Dimension	重量(kg) Weight
JF-Z120	高速双头塞纸机	20-160	15-300	220V AC 50/60HZ	1	0.2	0.5	1600×910×1600	460

JF-D901

Pressure Capping Machine
压旋机



概述

JF-D901压旋机采用阶梯式提升理盖，能自动完成输送、带盖、上盖、旋盖等动作。其结构简单、动作稳定，能有针对性解决异形瓶的定位、旋盖难题。

主要特点

- 理盖、带盖、压盖自动完成；
- 根据客户不同的盖型设计专门的理盖方式人机界面触摸屏和PLC控制系统的操作，使设备运行稳定，操作简便；
- 具有无瓶、无盖不工作、故障自检等多项检测、报警功能，确保生产的连续性和压盖的准确性；
- 全自动运行，与上下道工序智能联控，协调性好，无需专人操作，节约人工。

主要技术参数 Main technical parameters

型号 Model	设备名称 Name	适用对象 Size of bottles(ml)	生产能力(瓶/分钟) Output(bottles/min)	电源功率 Power supply	空压 (MPa) pressure	用气量 (m³/h) Consumption air	外形尺寸 (mm) Net Dimension	重量 (kg) Weight
JF-D901	压旋机	普通盖，带防护圈盖， 双层盖，翻盖等塑料盖	30-80	220V/50HZ/ 1.5KW	0.6	0.3	2150*1050*1900	600

Overview

JF-D901 Pressure Capping Machine adopts ladder-type lifting cap unscrambling, automatically complete the capping ordering, cap adding, cap pressing. Simple structure, stable action, target to solve the position of the special-shaped bottles, the capping difficult problems.

Main features

- Accomplish cap ordering, cap adding, cap pressing automatically;
- According to customers different cap, design specialized capping away;
- Equipped with human-computer interface and PLC control system, Ensure more stable operation and easier handling;
- Self-diagnose errors and stop working to make alarm at errors and missing bottles, caps. It keeps the working process continuous and inerrant avoids any waste of materials;
- Fully automatic operation, intelligent interconnection with before and after process, good coordination, no need for special operation, saving labor.

JF-D902

Capping screwing machine
旋盖机



概述

JF-D902旋盖机采用阶梯式提升理盖，噪声小输盖稳，若盖子的方向错误自动回落到储盖斗，保证上盖的准确性。

Overview

JF-D902 Capping Screwing machine adopts ladder-type lifting cap unscrambling, with low noise and stable cap conveying. Caps can automatically full back into cap hopper if they are in wrong direction, ensure the accuracy of capping.



主要特点

- 三对摩擦轮进行搓式旋盖，旋盖松紧可调节，不损伤盖子表面；
- 设备对各种瓶子适用性强，换品种简单方便，只需对设备小部件进行调节即可；
- 人机界面触摸屏和PLC控制系统的操作，使设备运行稳定，操作简便；
- 具有无盖无瓶不工作，歪盖、反盖、无铝箔检测剔除，故障自检等多项检测功能。

主要技术参数 Main technical parameters

型号 Model	设备名称 Name	适用对象 Size of bottles(ml)	生产能力(瓶/分钟) Output(bottles/min)	电源功率 Power supply	空压 (MPa) pressure	用气量 (m³/h) Consumption air	外形尺寸 (mm) Net Dimension	重量 (kg) Weight
JF-D902	旋盖机	普通盖，带防护圈盖， 双层盖，翻盖等塑料盖	50-120	220V/50HZ/ 1.8KW	0.6	0.3	2550*1050*1900	650

Main features

- Equipped with three pairs of friction wheels, self-adjust tightness, helpful the caps surface
- Wide applicability, it is simple and convenient if change bottles and caps, just adjust some components.
- Equipped with human-computer interface and PLC control system, Ensure more stable operation and easier handling
- Self-diagnose errors and stop working to make alarm at errors and missing bottles, caps. The bottle with twisted cap, anti-cap and without aluminum foil will be removed.

JF-D904

Pressure capping machine
压盖机采用阶梯式提升理盖



概述 Overview

JF-D904 压盖机采用阶梯式提升理盖，噪声小上盖稳，若盖子方向错误自动回落到储料盖斗，保证上盖的准确性。

JF-D904 Pressure capping machine adopts stepped lifting and sorting, low noise and stable cap conveying, Caps can automatically full back into cap hopper if they are in wrong direction, ensure the accuracy of capping.

主要特点

理盖、带盖、压盖自动完成；根据客户不同的盖型设计专门的理盖方式；
人机界面触摸屏和PLC控制系统的操作，使设备运行稳定，操作简便；
具有无瓶、无盖不工作、故障自检等多项检测、报警功能，确保生产的连续性和压盖的准确性；
全自动运行，与上下道工序智能联控，协调性好，无需专人操作，节约人工。

Main features

Accomplish cap ordering ,cap adding ,cap pressing automatically
According to customers different cap, design specialized capping away.
Equipped with human-computer interface and PLC control system, Ensure more stable operation and easier handling
Self-diagnose errors and stop working to make alarm at errors and missing bottles , caps. It keeps the working process continuous and inerrant avoids any waste of materials.
Fully automatic operation, intelligent interconnection with before and after process, good coordination, no need for special operation, saving labor.

主要技术参数 Main technical parameters

型号 Model	设备名称 Name	适用对象 Size of bottles(ml)	生产能力 (瓶/分钟) Output(bottles/min)	电源功率 Power supply	空压 (MPa) pressure	用气量 (m³/h) Consumption air	外形尺寸 (mm) Net Dimension	重量 (kg) Weight
JF-D904	压盖机	带防护圈盖,翻盖, 双层盖等塑料盖	40-120	220V/50HZ/ 1.5KW	0.6	0.3	1850*800*1360	580

JF-M1

Induction Sealer
电磁感应铝箔封口机



概述

电磁感应铝箔封口机采用多风道强劲风冷散热，保证感应部件的稳定性和可靠性；适用各种铝箔材质的完美封口，保证封口的合格率，是大多数客户的首选产品。

Overview

JF-M1 Induction Sealer adopts air circulation technology to make sure fast cooling , ensure the stability and reliability of the induction parts. Suitable for all kinds of aluminum foil material, ensure the qualified rate of sealing, is the first choice for most customers.

主要特点

电磁转换效率高，节约能源，封口效果好；安全性好，封口功率过小或过载及时提示并自动停机；适用性强，封口功率可根据铝箔大小自动调整；采用风冷，冷却效果好，使用寿命长。

主要技术参数 Main technical parameters

型号 Model	设备名称 Name	生产能力 (bottles/min)Output	生产能力 (瓶/分钟) Output(bottles/min)	电源功率 Power supply	外形尺寸 (mm) Net Dimension	重量 (kg) Weight
JF-M1	电磁感应铝箔封口机	瓶口直径15-50mm的圆形, 扁圆, 方形和扁方形瓶	50-120	220V/50HZ/3.0KW	1350*900*1300	220



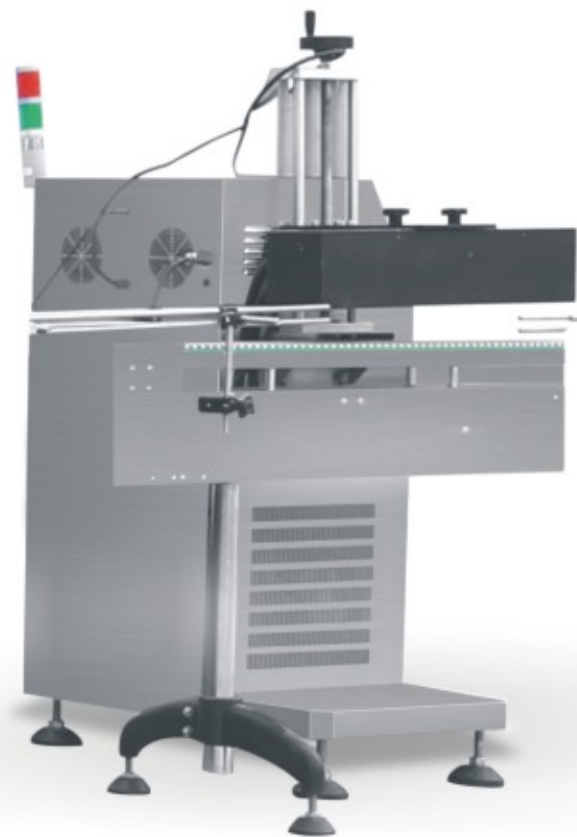
Main features

High efficiency in electromagnetic transferring, high performance sealing;Timely prompts and automatically stop , if the sealing power is too small or too large;Sealing power adjust automatically by the size of aluminum foil;Adopt air circulation technology to make sure fast cooling speed and long-term durability.

JF-M2

Induction Sealer(water-cooled)

电磁感应水冷封口机



概述

电磁感应铝箔封口机采用水冷散热模式，保证感应部件的稳定性和可靠性；适用各种铝箔材质的完美封口，保证封口的合格率。

Overview

JF-M2 Induction Sealer (water-cooled) adopts water circulation technology to make sure fast cooling , ensure the stability and reliability of the induction parts. Suitable for all kinds of aluminum foil material, ensure the qualified rate of sealing.

主要技术参数 Main technical parameters

型号 Model	设备名称 Name	适用对象 Size of bottles(ml)	生产能力 (瓶/分钟) Output(bottles/min)	电源功率 Power supply	外形尺寸 (mm) Net Dimension	重量 (kg) Weight
JF-M2	电磁感应水冷封口机	瓶口直径15-150mm的圆形，扁圆，方形和扁方形瓶	200	220V/50HZ/4.0KW	1500*1400*1650	320

主要特点

根据产量大小调节电流，电压，能有效控制封口时间和封口速度及封口速度；

主机采用进口先进的晶体管，CPU模块控制，功率可调，电磁感应发生器采用自动冷却循环系统，温度自动控制；

适用各种圆形瓶，扁形瓶瓶盖铝箔封口；

机身采用优质304不锈钢材料制成，外观漂亮，符合GMP要求；

可方便灵活与生产线配套使用。

Main features

Sealing time and speed can be controlled efficiently by adjusting the electric current and voltage according to the output of the machine. It is suitable for the perfect sealing of all kinds of aluminum foil, so as to guarantee the qualification rate of the seal;

Main engine generator adopts transistors newly imported aboard and CPU model control with power to be adjustable .The aluminum foil generator adopts automatic cooling circulation system to control the temperature automatically;

It is widely used in the capping process of round and oblate bottles;

The material is made up high quality of 304 stainless steel and has elegant appearance ,meet GMP standard;

It can be used in the production line or can be used separately.

JF-T1

Round Bottle Side Face Labeler

不干胶圆瓶侧面贴标机



概述

JF-T1 不干胶圆瓶侧面贴标机采用机电一体化设计，结构简单合理，配套维修方便，保证贴标的准确性和精确度。

主要特点

采用预放标系统，出标稳定，贴标平整性好，位置精度高；

人机界面触摸屏和PLC控制系统的操作，使设备运行稳定，操作简便；

采用张紧设计，既能保证打码质量又能准确的控制标纸长度和起标均匀度；

滚压标纸对不同的瓶型，采用不同的结构方式，保证贴标的质量。

Overview

JF-T1 Round Bottle Side Face Labeler integrates electrical and mechanical device , with sample and reasonable structure and easy maintain, ensure the accuracy and precision.

Main features

label pre-feeding system makes the label feed stable ,stick up smoothly and label position precise;

Equipped with human-computer interface and PLC control system, Ensure more stable operation and easier handling;

Label-feeding adopt tensioning design to ensure that the coding quality, and can accurately control the length and uniformity of the label;

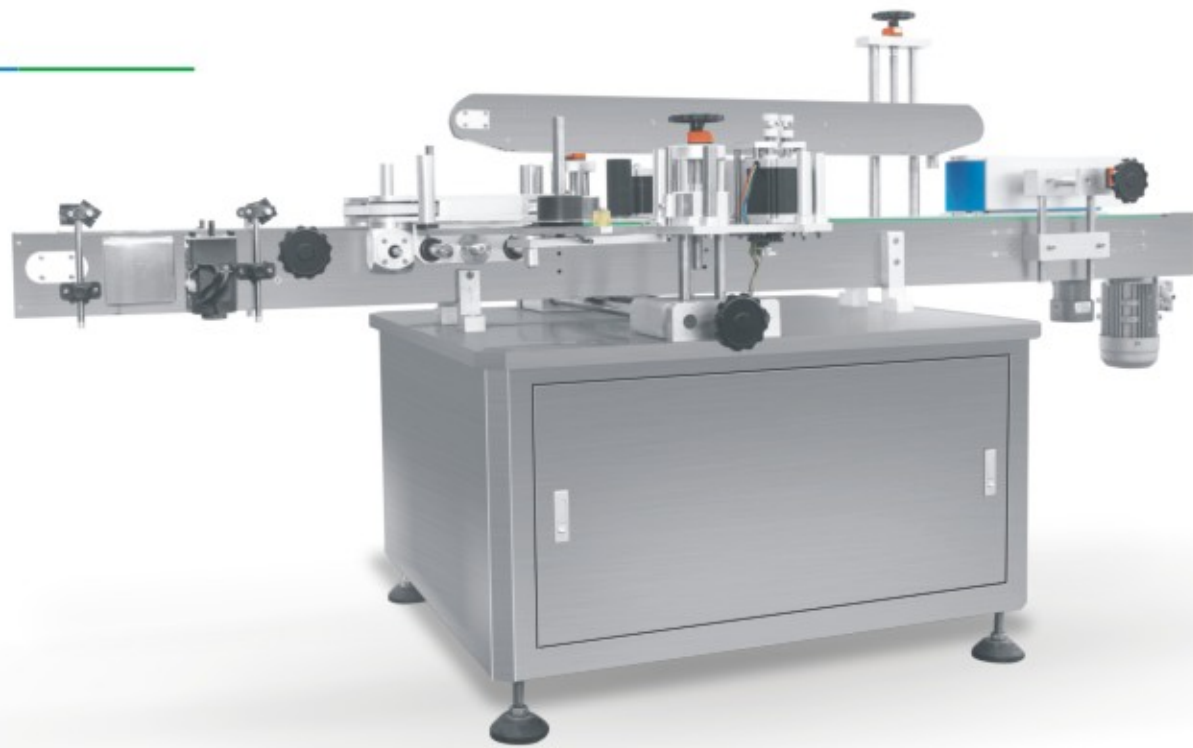
The label-rolling and label pressing adopt different structure by different bottles shape to ensure the quality of the labeling.

主要技术参数 Main technical parameters

型号 Model	设备名称 Name	适用对象 Size of bottles(ml)	生产能力 (瓶/分钟) Output(bottles/min)	电源功率 Power supply	空压 (MPa) pressure	用气量 (m³/h) Consumption air	外形尺寸 (mm) Net Dimension	重量 (kg) Weight
JF-T1	不干胶圆瓶侧面贴标机	各种圆形瓶	20-120	220V/50HZ/ 0.15KW	0.4	0.2	2000*700*1650	280

JF-T2

Multi-function labeler
多功能贴标机



概述

JF-T2 多功能贴标机解决了方瓶两面，三面，四面的贴标问题，结构简单合理，配套维修方便，保证贴标的准确性和精确度。

主要特点

本机采用品牌伺服电机，触摸屏界面，PLC控制系统，操作简便，维修简单，有积累计数、工作参数设定、显示等功能，在参数范围内可任意调整。

具有自动控制检测系统，无瓶、无标签、无色带、缺瓶不送标。

采用光电控制驱动贴标，贴标过程稳定可靠，贴标位置可任意调节。

采用预放标系统，出标稳定，贴标平整性好，位置精度高。

采用张紧设计，既能保证打码质量又能准确的控制标纸长度和起标均匀度。

滚压标纸对不同的瓶型，采用不同的结构方式，保证贴标的质量。

主要技术参数 Main technical parameters

型号 Model	设备名称 Name	适用对象 Size of bottles(ml)	生产能力(瓶/分钟) Output(bottles/min)	电源功率 Power supply	空压 (MPa) pressure	用气量 (m ³ /h) Consumption air	外形尺寸 (mm) Net Dimension	重量 (kg) Weight
JF-T2	多功能贴标机	各种方瓶、圆瓶	20-120	220V/50HZ/ 1.2KW	0.4	0.2	2600*1350*1450	380

JF-T3

Top Face Labeler
不干胶平面贴标机

概述

平面不干胶贴标机以达到合理化的生产目标而设计。贴标过程均自动化作业，操作简单，生产速度快，贴标位置统一、美观、整齐；适用于制药、化工、食品等行业平面物体的贴标。

Overview

Top Face Labeler machine is designed to achieve a reasonable production goal. Labelling process is automated, simple operation, fast production speed, uniform labeling position, beauty and neat. It is suitable for labeling objects in pharmaceutical, chemical and food industries.

主要特点

采用预放标系统，出标稳定，贴标平整性好，位置精度高。

走标采用张紧设计，即能保证打码质量，也能准确地控制标纸长度和起标均匀度。

滚压标纸对不同的瓶形，采用不同的结构方式，保证贴标的质量。

可选配先进的在线检测系统，能自动检测无标、标签缺损、打印信息缺损等情况，并自动剔除。

主要技术参数 Main technical parameters

型号 Model	设备名称 Name	适用对象 Size of bottles(ml)	生产能力(瓶/分钟) Output(bottles/min)	电源功率 Power supply	空压 (MPa) pressure	用气量 (m ³ /h) Consumption air	外形尺寸 (mm) Net Dimension	重量 (kg) Weight
JF-T3	不干胶平面贴标机	各种平面物体	20-120	220V/50HZ/ 0.15KW	0.4	0.2	2000*700*1400	220



Label pre-feeding system makes the label feeding stable, stickup smoothly and label position precise.

Label-feeding adopt tensioning design to ensure that the coding quality, and can accurately control the length and uniformity of the label.

The label-rolling and label pressing adopt different structure by different bottles shape to ensure the quality of the labeling.

You can choose the advanced online systems that can monitor, wrong label, non-label, damaged label, lack of print information, and it can automatically reject these bottles.

JF-T4

Horizontal self-adhesive labeling machine

卧式不干胶贴标机



概述

由输送带带动瓶子进入贴标区域,由视觉电眼检测到瓶子后,将光电信号传输到PLC,由PLC处理后将输出信号传输到步进电机,由步进电机出标,通过滚压机构将标签贴到瓶子上,贴标后的瓶子由贴标机输送带进入下一流程或容器。

Overview

The conveyor belt drives the bottle into the labeling area. After the bottle is detected by the visual sensor, the photoelectric signal is transmitted to the PLC, and the output signal is transmitted to the stepper motor after processing by the PLC. The mechanism sticks the label to the bottle, and the labelled bottle is transported to the next process or container by the labeling machine conveyor belt.

主要特点

高速稳定破瓶率低,采用柔性三轴进口红胶覆标机构,贴标效果好,效率高;采用新型的垂直式料斗自动分瓶机构;

应用灵活,瓶子卧式贴标,采用垂直式料斗卧式上料,卧式滚筒输送贴标,输送带倾斜,瓶子自动导正,贴标灵活;

贴标准确,稳定性高,采用PLC+细分步进电机驱动送料,送料准确;

智能控制,自动光电追踪,具备无物不贴标;

功能强大,彩色触摸屏控制,中英文可选操作界面,方便直观,强大数据记忆功能,可储存50组贴标参数;

稳定性高,测标、测物传感器采用进口一线品牌,检测灵敏度,性能稳定,经久耐用;

安全卫生,机箱,采用不锈钢SUS304材料及T6铝合金,永不生锈,符合GMP优良制造标准。

Main features

High-speed and stable bottle breaking rate is low, adopting flexible three-axis imported red glue labeling mechanism, with good labeling effect and high efficiency; adopting a new type of vertical hopper automatic bottle separation mechanism;

Flexible application, horizontal bottle labeling, vertical hopper horizontal feeding, horizontal roller conveyor labeling, inclined conveyor chain, automatic bottle guide, flexible labeling;

Accurate labeling, high stability, using PLC + subdivision stepping motor to drive the label, accurate label delivery;

Intelligent control, automatic photoelectric tracking, with nothing but no labeling Powerful function, color touch screen control, Chinese and English; optional operation interface, convenient and intuitive, powerful data memory function, can store 50 sets of labeling parameters;

High stability, imported first-line brand sensors for standard and object measurement, high detection sensitivity, stable performance, and durability;

Safe and hygienic, the chassis is made of stainless steel SUS304 and T6 aluminum alloy, which will never rust and meet GMP good manufacturing standards.

主要技术参数 Main technical parameters

型号 Model	设备名称 Name	适用对象 Size of bottles(ml)	生产能力 (瓶/分钟) Output(bottles/min)	电源功率 Power supply	空压 (MPa) pressure	用气量 (m ³ /h) Consumption air	外形尺寸 (mm) Net Dimension	重量 (kg) Weight
JF-T4	卧式不干胶贴标机	液体口服液瓶,安瓶	100-200	220V/50HZ/0.15KW	0.4	0.2	1950*1100*1300	200

JF-XP

Air washing machine

空气洗瓶机



概述

该机利用洁净压缩空气对塑料瓶内进行清洗,清洗完的空气另一口气吸走,全密封装置,能有效吸走瓶内及瓶壁上的粉末、灰尘、水珠等杂物,达到塑料瓶的清洗目的。本机广泛适用于各类玻璃瓶,塑料瓶灌装前的清洗。

Overview

It uses compressed air to clean that plastic bottle, and the air is sucked away from another breath, the whole enclosed device, can suck away the debris, such as powder, dust, water ball, etc. and achieve the purpose of cleaning the bottles. This machine is widely used for cleaning all kinds of glass and plastic bottles before filling.

主要特点

- 1、结构简单,性能稳定,操作简易,维修费用低;
- 2、配备离子发生器,有效去除静电,减小粉尘的吸附能力,除尘效果更好;
- 3、自动进出瓶,自动计数,无瓶不动作;
- 4、更换规格方便,只需调整针头的高度和汽缸挡板的距离;
- 5、采用PLC控制,人机界面操作洗瓶工艺;
- 6、该设备能有效清除瓶子里的微颗粒粉尘;
- 7、清除的颗粒被真空回吸排放,不循环流通,不污染环境;
- 8、机身及零部件用不锈钢304制造,表面磨光,拆洗方便;
- 9、整机外部装有机玻璃罩及门,并设有开门停机功能。



Main features

- 1、Simple structure, stable performance, easy operation and low maintenance cost;
- 2、Equipped with ion generator, effectively remove static electricity, reduce dust adsorption capacity, dust removal effect is better;
- 3、Automatic entry and exit, automatic counting, no bottle without action;
- 4、It is convenient to change the specification, just adjust the height of the needle and the distance of the cylinder baffle;
- 5、Adopt PLC control, man-machine interface operation washing bottle technology;
- 6、The device can effectively remove particulate dust from the bottle;
- 7、The cleaned particles are evacuated by vacuum and are not circulated without polluting the environment;
- 8、The fuselage and parts are made of 304 stainless steel, surface polished and easy to be removed;
- 9、The whole machine is equipped with organic glass cover and door.

主要技术参数 Main technical parameters

型号 Model	设备名称 Name	生产效率 Output	使用规格 Applicable (ml)	气洗头数 (头) Head number	气洗时间 (秒) Time	气压 Air pressure	电源功率 Power supply	外形尺寸 (mm) Net Dimension	重量 (kg) Weight
JF-XP	空气洗瓶机	1500-2000瓶/小时	50-500	6	2-5	5-8	1.5KW	1800*800*2000	550

SP-310

Multi-storey Tablet Deduster

多层筛片机



主要特点

SP-310多层筛片机是为去除药片毛边粉尘而研制的专用设备，主要与全自动高速压片机及其它类型的压片机配套使用，也适用片剂集中除粉，可广泛应用制药、食品、化工等行业。符合GMD设计，多层筛结构，使药片与粉尘有效分离；全部生产过程直观、可视；振幅及生产速度连续可调；拆、装操作简单，使用清洁、方便；性能可靠，效率高，噪音低。

Overview

This machine is designed for removal of pills burr dust special equipment, with automatic high speed tablet pressure and other types of tablet pressure, also suitable for tablet concentrating powder removal. Widely used in pharmaceutical, food and chemical industrial. It meets with GMD design and multi-layer screen structure, so that the tablet and dust can be separated effectively. The whole production process is intuitive and visible; Amplitude and the production speed can be adjusted continuously; Simple operation, clean, convenient and reliable performance, high efficiency and low noise.

Main technical parameters

主要技术参数 Main technical parameters

型号 Model	设备名称 Name	生产效率 Output	除尘距离 (m) Removal distance	适用范围 Applicable	压缩空气 Compressed Air	真空吸尘 Vacuum	电源功率 Power supply	外形尺寸 (mm) Net Dimension	重量 (kg) Weight
SP-310	多层筛片机	60000片/小时 (Φ6mm)	4.5	Φ3-Φ25	0.1m ³ /min 0.05Mpa	2.7m ³ /min 0.1Mpa	220V/50HZ/ 0.1KW	800*450*600	45

JF-137

Barrel roll Tablet Deduster

滚筒式筛片机

概述

本机是一种自动连续的筛片机，能与各种型号的筛片机配套使用，是压片机的主要辅助设备。他的作用是能使各种粉状物料通过压片机成形后，把吸附在片剂表面的粉粒从压片机的出片嘴随片剂一起带来的多余物料分离，可与吸尘器连接，由吸粉口吸出。本机由不锈钢制造，便于冲洗，耐腐蚀，外观漂亮大方。

Overview

This is an automatic continuous working tablet deduster, can be used with various types of press machine, which is main auxiliary equipment for the press. Which main function is removal powdery from the tablets. Connected with the vacuum cleaner and sucked out from the powder port. The machine is made up of stainless steel, easy maintenance, corrosion resistant, beautiful appearance.



主要技术参数 Main technical parameters

型号 Model	设备名称 Name	生产效率 Output	适用范围 Applicable	压缩空气 Compressed Air	真空吸尘 Vacuum	电源功率 Power supply	外形尺寸 (mm) Net Dimension	重量 (kg) Weight
JF-137	滚筒式筛片机	800000片/小时 (Φ6mm)	Φ3-Φ25	0.1m ³ /min 0.05Mpa	2.7m ³ /min 0.1Mpa	220V/50HZ/ 0.1KW	800*450*800	40

JF-200C

Uphill Tablet Deduster
上旋式筛片机



概述

上旋式筛片机是吸收国外先进的计数研制成功的。具有片剂替身和片剂除尘双重功能，多用于与各种压片机、金属检测机的连机使用。该机广泛用于医药、化工、电子、食品等行业。其优点是：片剂除尘路径长，药片自动翻面磨光，除尘效果好但不损伤片剂。同时可作为需要自动除尘的片状、块状、粒状固体制剂产品的输出设备。完全符合GMP要求。该机在设计过程中采用多项新颖设计，从而保证了生产过程更加安全、规范。

Overview

JF-200C Uphill Deduster also employed many new designs, to allow and to ensure a better and safer production. This Uphill Deduster is able to act as both elevating and dedusting machine, which made it a usual combination with other tablet-compressing machine and metal detection machine, and also made it extremely applicable in the field of pharmacy, chemical engineering, electronics, and food. Its advantage includes long dedusting path, automatic tablet polish on all sides, and high quality dedusting with out damage to the tablet itself. In addition, it can act as a delivering device for any shape of tablet that needs to be dedusted. Best of all, it correspond with the GMP standard.

主要技术参数 Main technical parameters

型号 Model	设备名称 Name	生产效率 Output	除尘距离 (m) Removal distance	适用范围 Applicable	压缩空气 Compressed Air	真空吸尘 Vacuum	电源功率 Power supply	外形尺寸 (mm) Net Dimension	重量 (kg) Weight
JF-200C	上旋式筛片机	1000000片/小时 (Φ6mm)	7.5	Φ3-Φ25	0.1m ³ /min 0.05Mpa	2.7m ³ /min 0.1Mpa	220V/50HZ/ 0.15KW	500*550*1400	80

JF-S1

Capsule polishing machine
胶囊抛光机



主要特点

主体积小巧，外观美观，高度和角度可调。
它可以连接到任何类型的胶囊填充机。实现生产中的及时抛光以提高抛光质量和效率。
使用柔和的毛扫，在工作中避免损坏胶囊，抛光更彻底
药品抛光室内使用高品质不锈钢。快速连接部件也被用来更容易地拆卸设备并更彻底地清洁设备

Main features

The main volume is small and exquisite, the appearance is beautiful, the height and angle are adjustable.
It can be connected to any type of capsule filling machine. Realize timely polishing in production to improve polishing quality and efficiency.
Use a gentle brush to avoid damage to the capsule during work, and polish more thoroughly
High-quality stainless steel is used in the medicine polishing room. Quick connect parts are also used to disassemble the equipment more easily and clean the equipment more thoroughly

主要技术参数 Main technical parameters

型号 Model	设备名称 Name	生产效率 Output	电机功率 Power	外形尺寸 (mm) Net Dimension	重量 (kg) Weight	附属设备 Accessories
JF-S1	胶囊抛光机 Capsule polishing machine	7000 PCS/Min	180W	1100*400*1000	45	吸尘器一台 Vacuum /1 set

JF-S2

Capsule polishing machine with sorter
胶囊分选抛光机



主要特点

JF-S2型胶囊分选抛光机是一款具有分拣功能的先进胶囊抛光机。整机采用不锈钢材质，滚刷连接快速，拆卸方便，清洁彻底，变频调速控制电机转速，启动力大，运行平稳可靠。它不仅适用于抛光胶囊，也适用于消除静电，也适用于剔除空胶囊，小剂量胶囊，分离胶囊和碎片，本机适用于各种尺寸的胶囊，无需更换任何零件。

Main features

JF-S2 capsule sorting and polishing machine is an advanced capsule polishing machine with sorting function. The whole machine is made of stainless steel. The roller brush is fast connected, easy to disassemble, clean thoroughly, frequency conversion speed control motor speed, large starting force, stable and reliable operation. It is not only suitable for polishing capsules, but also for eliminating static electricity. It is also suitable for removing empty capsules, small dose capsules, separating capsules and fragments. This machine is suitable for capsules of various sizes without any replacement of parts.

主要技术参数 Main technical parameters

型号 Model	设备名称 Name	生产效率 Output	电机功率 Power	外形尺寸 (mm) Net Dimension	重量 (kg) Weight	附属设备 Accessories
JF-S2	胶囊抛光机 Capsule polishing machine	7000 PCS/Min	180W	1100*600*1000	40	吸尘器一台 Vacuum /1 set

JF-S3

Vertical Capsule Polishing Machine with Double Sorter
双分选立式胶囊抛光机

概述

JF-S3型立式胶囊抛光机具有高工作能力和良好的抛光效果，完全由304不锈钢制成，安装有变频器控制。它运行稳定。不仅适用于抛光胶囊，消除静电，还可以自动分拣空胶囊，装量轻的胶囊，分离的胶囊和碎片。该机适用于各种尺寸的胶囊，无需更换零件。

Overview

This is a vertical & double sorting polisher which is with high working capacity and good polishing effect. JF-S3 vertical capsule polishing machine is fully made of 304 stainless steel, installed with frequency converter control. It runs stably. It's not only applied to polish capsules, eliminating the static electricity, but also eject empty capsules, less dosage capsules, separated capsules and fragment. This machine is for all sizes of capsules without the need to change parts.



主要特点

- 1、具备对胶囊抛光、能自动挑选出具有重量轻，空体，废料和散装胶囊，
- 2、提升的功能，为连接后续设备留出了高度空间；
- 3、整机全部采用快装式连接结构，使得机器的拆卸、安装更方便、快捷；
- 4、与药品接触的部件均采用304材质或符合现代药品生产要求的材质；
- 5、主轴上的毛刷可拆卸，清洗彻底、整机清洗无死角、符合GMP要求。

Main features

- 1、Inlet of the machine can be connected with any model of capsule filling machine, and outlet with capsule sorter, so that to realize the production line of capsule polishing, elevating, sorting.
- 2、Double sorting functions of capsule polishing to leave high flexibility for follow-up equipment line;
- 3、Activity wheels for easy transportation.
- 4、Automatically sort less dosage, empty, fractured and cap-body separated capsule;
- 5、Fast-joint system to ensure safe and quick disassembly and assembly;
- 6、Parts in contact with medicine all made of 304 stainless steel or other material conforms to modern medicine safety standards;
- 7、Detachable brush on main shaft can be thoroughly cleaned. No blind spot during whole machine cleaning. Meet cGMP demands.

主要技术参数 Main technical parameters

型号 Model	设备名称 Name	生产效率 Output	电机功率 Power	外形尺寸 (mm) Net Dimension	重量 (kg) Weight	附属设备 Accessories
JF-S3	胶囊抛光机 Capsule polishing machine	60000 PCS/H	200W	925*600*1500	110	吸尘器一台 Vacuum /1 set

XGB

Industrial vacuum cleaner

型工业吸尘器



概述

XGB型系列高效工业吸尘器广泛应用于工业生产中容易产生粉尘的设备与环境的吸尘，如医药、食品、化工等行业。主要采用不锈钢制造，适用于易腐蚀的粉尘场所。是压片机、造粒机、粉碎机、数片机、胶囊填充机的理想配套设备。滤袋采用电磁振荡除尘，排风量大，操作平稳简单噪声低。

Overview

XGB industrial vacuum cleaner is widely used in industrial production, such as medicine, food, chemical industry and so on. It is made of stainless steel and is suitable for the production of easily corroded. It is an ideal equipment for the press machine, granulator, shredder, chip machine and capsule filling machine. The filter bag adopts electromagnetic vibration dust removal, the exhaust air volume is large, the operation is smooth and simple and the noise is low.

主要技术参数 Main technical parameters

型号 Model	额定电压 Voltage	功率 Power	最大流量(m ³ /h) Maximum flow rate	最大压力(Mpa) Maximum pressure	真空度 Vacuum degree(Kpa)	机器外形尺寸 (mm) Net dimensions(mm)	重量 (kg) Weight
XGB-110	380V	1.1KW	400	<12	16	800*450*1100	60
XGB-150	380V	1.5 KW	500	<13	18	800*450*1100	60
XGB-220	380V	2.2 KW	600	<18	20	900*500*1100	80
XGB-300	380V	3.0 KW	900	<20	21	900*500*1100	85

XQB

High speed industrial cleaner

高速工业吸尘器



概述

高速工业吸尘器，是一种连续过滤除尘的工业用除尘设备，采用优质覆膜滤袋产品的滤清器，以及采用旋涡式气泵，吸力大，噪音低，工作可靠，操作方便移动灵活，特别适用于食品、化工等工业部门在生产中产生的干燥、低温度、小颗粒粉尘进行过滤除尘、回收之用。整机为不锈钢制造，符合GMP要求。

Overview

High speed industrial vacuum cleaner is a kind of continuous filtration of industrial dust removal equipment, high quality products and coated bag filter, the spiral pump, suction, low noise, reliable work, convenient operation and flexible movement, especially suitable for food, chemical industry and other industrial sectors in producing, drying low temperature and small particles of dust filter, recycling. The whole machine is made of stainless steel, which meets the requirements of GMP.

主要技术参数 Main technical parameters

型号 Model	设备名称 Name	叶轮直径(mm) Impeller diameter	最大流量(m ³ /h) Maximum flow rate	最大压力(Kpa) Maximum pressure	真空度 Vacuum degree(Kpa)	电源功率 Power supply	外形尺寸 (mm) Net Dimension	重量 (kg) Weight
XQB	高速工业吸尘器	340	900	<18	20	380V/50HZ/ 2.2KW	800*600*1600	120

JF-L1

Electronic lifting machine
自动上料机



概述

此上料机根据生产所需而设计的多用途送料设备。该机由料斗、提升输送、控制箱等组成。采用输送带传送，符合卫生要求，底部带有可移动式滚轮，便于调整及移位。

主要技术参数 Main technical parameters

型号 Model	设备名称 Name	输送高度 Height	输送量 Output(m ³ /h)	料仓容积(m ³) Volume(m ³)	电源功率 Power supply	外形尺寸 (mm) Net Dimension	重量 (kg) Weight
JF-L1	自动上料机	可定制	3立方米/小时 (可调)	0.15	220V/50HZ/ 0.12KW	2100*730*2350	180

主要特点

- 1、此机可与包装机配套使用，减轻劳动强度，提高工作效率；
- 2、与物料接触部位为不锈钢制作，清洗方便；
- 3、与包装机配套使用，可实现自动供料，自动停止。

Main features

1. This machine can be used with packaging machine ,reduce labor intensity and improve work efficiency.
2. Contact parts of the materials are made of stainless steel and convenient for cleaning.
3. It can be used with the packaging machine to realize automatic feeding and stop.Main technical parameters

Overview

The feeding machine is designed for multi-purpose feeding according to the requirements of production. This machine is composed of hopper, lifting conveyor, control box and so on. Conveyor belt conveyance, meet sanitary requirements, bottom with movable roller, easy to adjust and shift.

JF-L2

Z-lifting machine
型提升机

主要特点

物料提升是在封闭的箱体内部，通过悬挂在链条上的料斗输送物料；能水平---垂直---水平组合输送；全封闭、无泄漏、无污染。适用于输送各种粉状物料和颗粒状物料，以输送非黏性物料为佳；优点是组成形式灵活，提升量大，对物料的破损率低，可杜绝不良品的产生。

Main features

Material lifting is to transport materials in a closed box through a hopper suspended on the chain; it can be transported horizontally - vertically - horizontally; Fully enclosed, no leakage and no pollution. Suitable for conveying all kinds of powdery and granular materials, especially non viscous materials; The utility model has the advantages of flexible composition, large lifting capacity, low damage rate to materials, and can eliminate the generation of defective products.

概述

本提升机水平长度与提升高度任选，布置灵活，占地少；本机运行安全可靠，平稳无噪音，不撒料、不泄料、无飞溅、易拆易修，是理想的新型物料输送装置。

主要技术参数 Main technical parameters

型号 Model	设备名称 Name	适用对象 Size of bottles(ml)	生产能力 (瓶/分钟) Output(bottles/min)	电源功率 Power supply	外形尺寸 (mm) Net Dimension	重量 (kg) Weight
Z型提升机	JF-L2-10	1.0L	1-1.5吨/小时	220V/50HZ/0.5KW	3500*600*3500	280
	JF-L2-18	1.8L	2-3吨/小时	220V/50HZ/0.6KW	2000*600*2200	320



Overview

Length and height of machine according to your choice, flexible layout and less area space, the machine is reliable , safe , stable, without noise ,spillage, easy to maintain. That is the ideal model of material conveying device.

COUNTING

Sachet multifunctional packaging machine(Vertical type)

数粒机配拉袋机 (I 型)



主要特点

数粒，制袋，装袋，封口一次完成；人机界面触摸屏和PLC控制系统的操作，使设备运行稳定，操作简便；光电计数，兼容各种规格物料，对物料无磨损；改变品种和装量只需要换个别部件

Main features

Accomplish bag forming, counting, filling, bag sealing in same while; Equipped with human-computer interface and PLC control system, Ensure more stable operation and easier handling; Count by infrared and sensor that no wear and breakage of the product and compatible with all kinds of materials; Only need to change a couple of parts when shift between different products.

Overview

Automatic counting, bag making, filling, sealing, cutting and other functions of the machine, mainly solid particles (such as tablets, capsules, candy, screws, buttons and so on) the automatic counting packaging is widely used in the textile, food and pharmacy.

概述

数粒拉袋组合包装机自动完成数粒、制袋、填充、封合、切断等功能，主要是固体颗粒（比如药片、胶囊、糖块、螺丝、纽扣等）的自动计数包装，广泛运用于食品制药纺织领域。

主要技术参数 Main technical parameters

设备名称 Name	型号 Model	适用对象 Size of bottles(ml)	制袋尺寸 Size of bag (mm)	装量范围 Range	制袋方式 Type of bagging	电源功率 Power supply	外形尺寸 (mm) Net Dimension	重量 (kg) Weight
JF-*可根据客户需要选择合适的数粒机	数粒机 & 拉袋机	00-5#胶囊、软胶囊、<Φ22素片、异形片、糖衣片 Φ3-20丸剂	L 40-180mm W 40-140mm	≥2粒	背封(中封) 三边封, 四边封	220V/50HZ/ 1.5KW	2100*730*2350	480

COUNTING

Sachet multifunctional packaging machine(Vertical type)

数粒机配拉袋机 (II 型)



主要特点

数粒，制袋，装袋，封口一次完成；采用触摸屏和方便易用的操作系统，先进的设计，速度快，高精度，高效率；无膜自动停机，节省物料，避免浪费；热封拉袋系统配合热封光电袋长追踪，确保拉袋快速平稳；全机采用高质耐用的零件，再一次提高耐用性和稳定性；数粒机和拉袋机高度整合，组成全自动生产线。

Main features

Accomplish bag forming, counting, filling, bag sealing in same while; Using touch screen and easy-to-use operating system, advanced design, fast speed, high precision, high efficiency; Automatic shutdown without film, saving materials and avoiding waste; The heat-sealing bag-drawing system cooperates with heat-sealing photoelectric bag length tracking to ensure fast and stable bag-drawing; The whole machine uses high-quality and durable parts, once again improving durability and stability; The counting machine and the bag drawing machine are highly integrated to form a fully automatic production line; Main technical parameters.

概述

数粒拉袋组合包装机自动完成数粒、制袋、填充、封合、切断等功能，主要是固体颗粒（比如药片、胶囊、糖块、螺丝、纽扣等）的自动计数包装，广泛运用于食品制药机械领域。

Overview

Automatic counting, bag making, filling, sealing, cutting and other functions of the machine, mainly solid particles (such as tablets, capsules, candy, screws, buttons and so on) the automatic counting packaging is widely used in the textile, food and pharmacy.



主要技术参数 Main technical parameters

设备名称 Name	型号 Model	适用对象 Size of bottles(ml)	制袋尺寸 Size of bag (mm)	装量范围 Range	制袋方式 Type of bagging	电源功率 Power supply	外形尺寸 (mm) Net Dimension	重量 (kg) Weight
数粒机 & 拉袋机	JF-*可根据客户需要选择合适的数粒机	各种流动性颗粒	L 40-180mm W 40-140mm	≥2粒	背封(中封), 三边封, 四边封	220V/50HZ/1.5KW	2100*730*2350	480

COUNTING

Sachet multifunctional packaging machine (Horizontal type)

数粒机配水平拉袋机



主要特点

- 1、颗粒物料计数包装系统由水平式给袋包装机与数粒机组成；
- 2、数粒机计数精准与拉袋机高度配合，组成全自动生产线；
- 3、放袋槽放袋方便简单，配自动压袋装置；
- 4、配置进口压力感应装置，达到不下料不封的效果，节约包装袋；
- 5、给袋包装系统，包装速度更快、重量更准确，采用高质量配件，保持机器持久稳定。

Main features

- 1、The granular material counting and packaging system consists of a horizontal bag-feeding packaging machine and a counting machine;
- 2、The counting accuracy of the counting machine is highly matched with the bag pulling machine to form a fully automatic production line;
- 3、The bag placing slot is convenient and simple to place the bag, equipped with automatic bag pressing device;
- 4、Equipped with imported pressure sensing device to achieve the effect of no blanking and unsealing, saving packaging bags;
- 5、To the bag packaging system, the packaging speed is faster, the weight is more accurate, and the high-quality accessories are used to keep the machine stable.

Overview

The counting and pulling bag combination packaging machine automatically completes the functions of bag loading, bag opening, counting, filling, straightening, sealing and other functions, mainly for the automatic counting and packaging of solid particles (such as tablets, capsules, sugar cubes, screws, buttons, etc.) , Widely used in the field of food and pharmaceutical machinery.

概述

数粒拉袋组合包装机自动完成上袋、开袋，数粒、填充、拉直、封合等功能，主要是固体颗粒（比如药片、胶囊、糖块、螺丝、纽扣等）的自动计数包装，广泛运用于食品制药机械领域。

主要技术参数 Main technical parameters

设备名称 Name	型号 Model	适用对象 Size of bottles(ml)	制袋尺寸 Size of bag (mm)	装量范围 Range	制袋方式 Type of bagging	电源功率 Power supply	外形尺寸 (mm) Net Dimension	重量 (kg) Weight
数粒机&拉袋机	JF-*可根据客户需要选择合适的数粒机	各种颗粒型物料	W:85-260 L:100-400 (Can ordered)	≥2粒	自立袋、手提提、拉链袋、四边封袋、三边封袋、纸袋	220V/50HZ/7.0KW	2100*730*2350	1100

COUNTING

Automatic counting sachet packaging machine (Pouch rotary type)

数粒机配给袋式包装机



主要特点

该包装机由PLC控制，人机界面操作，可以对整机进行监控，如果出现空袋及未上袋等异常情况，PLC均能对异常情况进行判断；兼容性强，可以对片剂（包括异形片）、胶囊、软胶囊（透明、不透明）、丸剂等固体制剂或固体颗粒进行计数装袋；过载保护，安全装置。在机器工作气压异常或者加热管故障时自动提示；采用真空过滤器，清洁卫生无污染。

Main features

The packaging machine is controlled by PLC and human-machine interface. It can monitor the whole machine. If there are abnormal situations such as empty bags and no bags, PLC can judge the abnormal situation; Wide applicability, Used for tablets (including abnormal tablets), capsules, gels (including abnormal gels, transparent gels and opaque gels), pills and most solid granules; Overload protection, safety device. Automatic warning when the machine is working with abnormal pressure or heating tube; Vacuum filter is adopted to clean and clean.

概述

电子数粒给袋机是我公司自主研发的新产品是经过数粒机的准确计数后装进给袋机准备好的袋中，完全实现无人操作，真正实现自动化包装。

Overview

JF-*Electronic counting & bagging machine is the new product through my company independent research and development. After accurate counting and filling to the ready bags, fully realize unmanned operation and automatic packaging.



主要技术参数 Main technical parameters

设备名称 Name	型号 Model	适用对象 Size of bottles(ml)	制袋尺寸 Size of bag (mm)	装量范围 Range	制袋方式 Type of bagging	电源功率 Power supply	外形尺寸 (mm) Net Dimension	重量 (kg) Weight
数粒机&拉袋机	JF-*可根据客户需要选择合适的数粒机	各种颗粒型物料	L ≤ 350mm W 90-2000mm	≥2粒	平袋、插边带	380V/50HZ/ 1.5KW	2500*180*2580	780

XG-150

Weighing machine
称重机



主要特点

- 1、大尺寸彩色液晶触摸屏界面，操作简单、显示直观。
- 2、支持多国语言：汉语、英文、西班牙语、意大利语、日语、韩语等（客户指定）、默认为汉语和英文。
- 3、可存储200种产品检测数据，方便用户调用。
- 4、USB数据存储接口，可将报表数据转移到PC机上进行分析和打印。
- 5、参数设置密码保护，仅管理人员操作。
- 6、自动零点跟踪系统，保证检测数据可靠。
- 7、内嵌温度和噪音补偿系统，保证系统稳定性。

主要技术参数 Main technical parameters

型号 Model	称重方式 Weighing method	剔除装置 Elimination device	操作方式 Mode of operation	报警方式 Alarm mode	最高分选速度 The highest sorting speed	电源 Power supply	功率 Power	台面大小 Table size	重量 (kg) Weight
SG-150	重量传感器	空气喷射	7寸触摸屏 (皮带走向: 面对屏幕从左到右)	蜂鸣器和报警灯	0-90m/min	AC110V/ 220V 50-60HZ	约 100W	300mmX150mm (秤台高度: 750±50mm可调节,可定制加高)	约 60KG

概述

用于各种自动化装配线和物流系统的自动重量检测，还可以直接代替人工称量，以提高生产效率和称量的一致性和可靠性。

Overview

For a variety of automated assembly line and logistics system for automatic weight detection, In addition you can directly replace the artificial weighing, in order to improve production efficiency and weighing consistency and reliability.

Main features

- 1、Large color LCD touch screen interface, easy to operate, intuitive display.
- 2、Support multi-language: Chinese, English, Spanish, Italian, Japanese, Korean, etc. (customer specified), the default is Chinese and English.
- 3、Can store 200 kinds of product testing data, user-friendly call.
- 4、USB data storage interface, the report data can be transferred to the PC for analysis and printing.
- 5、Parameter password protection, management personnel only. Automatic zero tracking system to ensure reliable test data.
- 7、Embedded temperature and noise compensation system to ensure system stability.

SG-M300

Metal detector
金属探测器

概述 Overview

金属探测器利用电磁感应的原理，利用有交流电通过的线圈，产生迅速变化的磁场。这个磁场能在金属物体内部能感生涡电流。涡电流又会产生磁场，倒过来影响原来的磁场，引发探测器发出鸣声。

Metal detectors use the principle of electromagnetic induction to generate a rapidly changing magnetic field by using a coil through which alternating current passes. This magnetic field can induce eddy currents inside metal objects. The eddy current generates a magnetic field, which in turn affects the original magnetic field, causing the detector to beep.

主要特点 Main features

- 1、采用相位调节技术，能够有效抑制产品效应；
- 2、采用高速数字信号处理器件和智能算法，提高了检测精度和稳定性；
- 3、可检测铁、不锈钢、铜、铝及铅等多种金属材料；
- 4、LCD液晶显示，中英文菜单画面，轻松实现人机对话操作；
- 5、智能化的自学习功能，能够检测冷冻食品（如水饺、冷冻鱼）、肉类、大米、腌制品等；
- 6、具有记忆功能，支持存储多种不同产品的产品参数，可适应更多的产品群；
- 7、简便的可拆卸式机架，方便用户清洗；
- 8、传送带的特殊设计，避免传送带跑偏；
- 9、性能价格比高，价格极富吸引力；
- 10、全不锈钢制作，整机具有极好的防水性能。承重 ≤10Kg。

主要技术参数 Main technical parameters

通道尺寸 Channel size (mm)	300*150	皮带速度 Belt speed	10-25m/min (Adjustable)
有效通过高度 (mm) Effective passing height	300	探测方式 Detection method	磁性感应Magnetic induction
有效通过宽度 Effective width (mm)	150	警报方式 Alarm method	输送带停止且蜂鸣发生报警 Conveyor belt stop & buzzer alarm
检测灵敏度 Detection sensitivity	FE 1.2 SUS:2.5 (空机状态empty machine state)	功率 Power supply	About 220W
输送方式 Delivery method	平皮带Flat belt (皮带宽度belt width: 250mm)	电压 Voltage	220V/60HZ/3P
操作屏显示 Operation screen display	中文或者英文Chinese or English	重量 weight	150kg
运行方向 Running direction	面对显示屏, 从左往右From left to right	材质、表面处理 Material, surface treatment	304 ss Polisher



- 1、The use of phase adjustment technology can effectively suppress product effects;
- 2、The use of high-speed digital signal processing devices and intelligent algorithms improves detection accuracy and stability;
- 3、It can detect various metal materials such as iron, stainless steel, copper, aluminum and lead;
- 4、LCD screen display, Chinese and English menu screen, easy to realize man-machine dialogue operation;
- 5、The intelligent self-learning function can detect frozen food (such as dumplings, frozen fish), meat, rice, pickled products, etc;
- 6、It has a memory function, supports storage of product parameters of a variety of different products, and can adapt to more product groups;
- 7、Simple detachable rack, convenient for users to clean;
- 8、The special design of the conveyor belt prevents the conveyor belt from running off;
- 9、High performance-price ratio and extremely attractive price;
- 10、Made of all stainless steel, the whole machine has excellent waterproof performance. Load bearing ≤10Kg.

NJP-V

Semi Automatic Capsule Filling Machine

半自动胶囊充填机



概述

NJP-V半自动胶囊充填机本产品是适用于中小型制药厂、医院制剂实验室等的专用胶囊灌装机，采用可编程控制系统，触摸屏操作，无级变速，电子自动计数器。自动完成定位、分离、充填、锁定等动作，加药准确，操作方便。整机采用不锈钢制造，适用于充满粉末和颗粒的胶囊。

Overview

NJP-V Semi-Automatic Capsule Filling Machine The product is special capsule filling machine which is suitable for medium and small pharmaceutical factory, hospital preparation lab, etc. The machine adopted programmable control system, touch panel operation, stepless transduction speed-shift, and electronic automatic counter. And it automatically completes the action of position, separation, filling, locking, etc. The dosage is accurate, and the operation is convenient. The overall machine is made of stainless steel, and it is suitable for the capsule which is filled with powder and grain.

主要技术参数 Main technical parameters

模型 Model	NJP-V	
胶囊大小 Capsule Size	#00-#5 #00-#5	
真空泵 Vacuum Pump	XD-040 (40m ³ /小时) XD-040(40m ³ /hour)	
空气压缩机的容量 Capacity Of air compressor	0.1m ³ /分钟 0.1m ³ /min	
噪音 Noise	小于60dB (A) Less than 60dB (A)	
外形尺寸 Overall Dimensions	1200x700x1600mm	1200x700x1600mm
包装尺寸 Packing Dimensions	1800x800x1800mm	1800x800x1800mm
净重 Net Weight	330公斤	330Kg
毛重 Gross Weight	525公斤	525Kg
容量 Capacity	12000粒/小时	12,000capsules/hour
电源 Power Supply	380V 50Hz 2.2Kw	380V 50Hz 2.2Kw

NJP-SERIES

Fully Automatic Capsule Filling Machine

全自动胶囊充填机



概述

NJP-200/400/800C采用PLC控制系统，人机界面，运行故障或缺料时，自动报警，故障显示，自动解除报警。具有密码设置、触摸屏显示、参数自动设置、数据打印、复位等功能。

跨接启动轴、凸轮等主要易损件均采用进口材料。该机适用于粉末、颗粒状和颗粒填充，24000/48000粒胶囊一小时，特别适用于粒径为00#至5#的胶囊。

Overview

NJP-200/400/800C adopt PLC control system, human-machine interface, when running malfunction or lack of stuff, automatic alarm, malfunction display, automatic dismiss alarm. And with functions of password setup, touching screen display, automatic parameter setup, data printing, reset, etc.

The jump-start axed, cam and other main damageable parts all adopt imported materials. And the machine is suitable for Powder, Granular and Pellet filling, one hour for 24,000/48,000capsules, special for Capsule size from00# to 5#.



主要技术参数 Main technical parameters

模型 Model	200C	400C	800C
容量 Capacity	200capsules/minute	400capsules/minute	800capsules/minute
适用于 Machine suitable for	capsule Size #00 to 5		
电源 Power supply	415v 50Hz three phase (it can be changed depend on your requirement)		
功耗 Power consume	3.2kw	3.2kw	5.5kw
模具孔数量 Quantity of mould bores	3pcs	3pcs	6pcs
噪声标准 Noise standard	<75dB(A)		
重量 Weight	900kgs	900kgs	1050kgs
外形尺寸 Overall dimension	600x800x1750mm	660x800x1750mm	700 x 900 x 1850mm

JFZP-31/35/37

Rotary Tablet Press

旋转式压片机



概述 Overview

压片机广泛应用于制药行业，也可适用于食品、化工、电子等行业。将各种符合压片要求的颗粒原料压制成片剂状。

Rotary Tablet Press It is widely used in the pharmaceutical industry, food, chemical, electronic and other industries. All kinds of granular materials that meet the requirements of the press are made into tablets.

主要技术参数 Main technical parameters

冲模数 Model	ZP-31D	ZP-35D	ZP-37D
产量 Station	31	35	37
最大压力 Production Capacity	100,000件/小时 pcs/hour	150,000件/小时 pcs/hour	170,000件/小时 pcs/hour
最大直径 Max.Pressure	80KN	80KN	80KN
最大充填深度 Max.Dia	22mm	13mm	13mm
最大片剂厚度 Max.Filling Depth	15mm	15mm	15mm
转盘转速 Max.Thickness	9mm	6mm	6mm
电机 Turret Speed	14-25r/min	14-35r/min	14-35r/m
设备尺寸 Motor	4Kw 380V 50Hz 三相 three phase		
主机 Overall Dimension	1500x1300x1650mm		
重量 Weight	1950kg		

主要特点

双压式，双面出片，非标模具。可将颗粒状原料压制成较大片径的圆形片（最大片径 Φ 25mm）和各种规格的异形片。

有预压和主压两次压片功能，可提高压片质量。

手轮调节机构带数字显示，准确灵活。压片的充填和片厚调整过程简化。

采用变频无级调速装置，操作方便，安全可靠。

配有过载保护装置，当压力过载时，能自动停机。

不锈钢外罩壳为全封闭式，凡与药物接触的零件均采用不锈钢材料或经表面处理，无毒耐腐蚀。

转台表面经过特殊处理，能防止交叉污染。

压片室四面为透明有机玻璃，且能全部打开，易于内部清理和保养。室内配有安全照明。

Main features

It has double-press function ,i.e.-pre-press and main-press ,the tablet quality will be improved.

Handwheel adjusting mechanism with digital display, accurate and flexible. The tablet filling and tablet thickness adjustment process and simplified.

Utilize the variable frequency stepless speed control device, easy to operate, safe and reliable.

Equipped with overload protection device. The machine can shut down automatically when the overpressure happens.

The enclosing shield is fully enclosed. The internal table surface is made of stainless steel. All contacting parts are stainless steel or have surface treatment, free of toxicity, corrosion resistant.

The rotary table surface is treated specially capable of keeping the surface finish and avoiding the cross pollution, compliant with GMP requirement.

The four side of table pressing chamber are made of transparent organic glass, and openable completely ,easy to clean the inside and maintain.

JF-PM

Small character jet printer

小字符喷码机



概述

该设备采用先进的软件和模块式设计，由触摸屏控制，是客户的首选产品。

全不锈钢机箱零部件（304，316L）符合IP65级防护标准，全不锈钢外壳和自带喷头正气压功能，使机器能在各种工业环境下稳定运行。

Overview

Equipped with advanced software , modular design and HMI control ,is customers' best choice.

All stainless steel chassis parts (304,316L) , meet IP65 standard of protection. The full stainless steel shell and the self - equipped nozzle have positive pressure, the machine can operate steadily in all kinds of industrial environment.

主要特点

采用了专利的间歇式油墨真空回收系统，该系统能有效地减少溶剂的消耗量，降低了机器的运行成本，成为了节省溶剂的喷码机。

全智能自动控制，自动清洗喷嘴，故障自我诊断与维护。

S28系列机器开关机都自动用溶剂清洗墨水管路，保证管路和喷嘴的畅通。简洁合理的喷头设计配合多种喷嘴清洗程序保证喷嘴不堵塞，喷嘴也可方便的拆卸清洗，维护简单。

主要技术参数 Main technical parameters

型号 Model	JF-PM小字符喷码机 Small character inkjet printer
喷嘴孔径 Diameter of nozzle	65/55 μ m
打印高度 Height of coding	1-15mm
打印行数 Line(s) of coding	1-3
加粗倍数 Front-weight	1-9
打印速度 Print speed	5*55*74*78*77*96*128*16 、 12*169*16 12*12 16*18 24*24
字体输入 Enter	RS-232 以太网 Ethernet
通讯接口 Communication	90% (无凝露) (no condensation)
工作湿度 Moisture	2000小时 (国内) (domestic)
免维修时间 Speed	10英寸单片机LCD触屏 10 inch single chip microcomputer LCD touch screen
输入系统 System	0.03秒 second
墨水干燥时间 Ink drying time	光电维护包支架底座 Photoelectric maintenance package support base
附件 Dry time	可选: 同步器计米器传送带 Optional: synchronizer meter conveyer



Main features

The patented intermittent ink vacuum recovery system can effectively reduce the consumption of solvent, reduce the operating cost, and become the most solvent spraying machine.

Full intelligent automatic control, automatic cleaning nozzle, fault self-diagnosis and maintenance.

The S28 series machines automatically clean ink lines with solvents to ensure smooth flow of pipes and nozzles. The simple and reasonable nozzle design to ensure that the nozzle is not blocked, the nozzle can be easily removed and cleaned, and the maintenance is simple.

JF-ZW

Automatic traditional Chinese medicine pill making machine

全自动中药制丸机



概述

本机汇集各种全自动中药制丸机的优点于一机，具有丸形圆，剂量准，崩解快，符合药典规定。工作面无死角、密封性好、拆卸、清洗方便、符合GMP标准，出条光滑，无棚料，传动平稳，操作容易，故障率极低等优点。是医院制剂室、小型药厂、保健品厂和有一定规模的中医诊所理想的制丸机械。

Overview

This machine combines the advantages of various automatic Chinese medicine pill making machines in one machine, with round pill shape, accurate dosage, fast disintegration, and conforms to pharmacopoeia regulations. The working face has no dead corners, good sealing, convenient disassembly and cleaning, in line with GMP standards, smooth strips, no shed materials, smooth transmission, easy operation, and extremely low failure rate. It is an ideal pill making machine for hospital preparation rooms, small pharmaceutical factories, health care products factories and Chinese medicine clinics of a certain scale.

主要特点

- 1、本机由出条和制丸两部分组成，箱式结构，横向出条，构造简单，操作容易，维修方便。
- 2、出条采用蜗轮减速器，传动平稳可靠。
- 3、制丸部分的搓丸和切丸机构装在一个变速箱内，机件润滑条件良好，切丸速度可通过无级变速机的旋钮调节，使滚刀可获得6-30转/分的转速，直到切丸速度达到与出条速度匹配。
- 4、投料口大，压板翻动压料，便于填料，可杜绝棚料现象。料斗以翻板轴为界，分上下两开，清洗时拆开，十分方便。
- 5、电加热采用电热管，安全可靠，出条光滑。
- 6、用酒精点滴药条，制丸刀外侧装有毛刷，可杜绝粘刀现象，酒精装在出条机构的方箱内，通过球阀调节酒精量的大小。

Main features

1. This machine is composed of two parts: strip discharging and pill making, box structure, horizontal discharging, simple structure, easy operation and convenient maintenance.
2. The worm gear reducer is used for the delivery, and the transmission is stable and reliable.
3. The pill rolling and pill cutting mechanism of the pill making part is installed in a gearbox, the machine parts are in good lubrication conditions, and the pill cutting speed can be adjusted by the knob of the stepless speed changer, so that the hob can obtain a speed of 6-30 rpm. , Until the pill cutting speed reaches to match the stripping speed.
4. The feeding port is large, and the pressing plate is turned to press the material, which is convenient for filling and can prevent the phenomenon of shed material. The hopper is bounded by the flap shaft, which is divided up and down, which is very convenient to disassemble during cleaning.
5. The electric heating adopts electric heating tube, which is safe and reliable, and the strip is smooth.
6. Use alcohol to instill the medicine strips. The pill-making knife is equipped with a brush on the outside to prevent the sticking of the knife. The alcohol is installed in the square box of the stripping mechanism, and the amount of alcohol is adjusted through the ball valve.

主要技术参数 Main technical parameters

型号Type	WK-80	WK-200	WK-300	WK-600	WK-800
制丸范围 Pill making range	小蜜丸、小水丸、浓缩丸等honeyed bolus , water pill, concentrated pill, etc				
理论产量Theoretical output (kg/h)	3-15	5-30	8-40	40-120	50-200
制丸规格Pill specification (mm)	3-12	3-12	3-12	3-12	3-12
电压Voltage (V)	380	380	380	380	380
主电机功率Main motor power (kw)	1.5	1.5	1.5	4.5	4.5
搓丸电机功率Pill rolling motor motor (kw)	0.75	0.75	0.75	0.75	0.75
切丸电机功率Cutting motor power (kw)	0.18	0.18	0.18	0.2	0.2
出条数 (根) Number of articles	1	2	3	6	8
外形尺寸 (cm) Dimensions	120×83×101	120×83×101	120×83×101	148×93×167	148×93×167